

## SET-UP SHEET

RACE

TRACK

NAME

CITY/COUNTRY

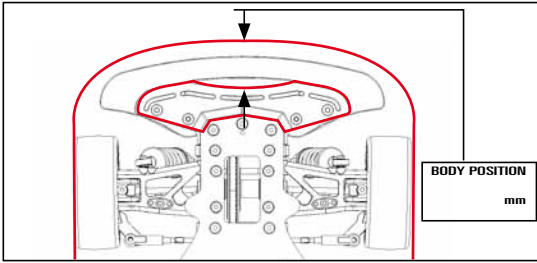
DATE

TEMPERATURE	AIR	<input type="text"/> 0	TRACK	<input type="text"/> 0
QUALIFYING POSITION	BEST LAP TIME	SEC	FINAL POSITION	RACE LENGTH
TRACK CONDITION	<input type="checkbox"/> CARPET	<input type="checkbox"/> ASPHALT	<input type="checkbox"/> FAST	<input type="checkbox"/> MEDIUM
TRACTION	<input type="checkbox"/> LOW	<input type="checkbox"/> MEDIUM	<input type="checkbox"/> HIGH	

FRONT		REAR	
TRANSMISSION			
GEAR DIFF		GEAR DIFF	
<input type="checkbox"/> CST	<input type="checkbox"/> CST	<input type="checkbox"/> ONE WAY	<input type="checkbox"/> SOLID
BALL DIFF		BALL DIFF	
<input type="checkbox"/> LOOSE	<input type="checkbox"/> MEDIUM	<input type="checkbox"/> TIGHT	<input type="checkbox"/> LOOSE
MIDDLE SHAFT		FIXED <input type="checkbox"/> ONE WAY <input type="checkbox"/>	
PINION	T	SPUR GEAR	T
FINAL DRIVE RATIO		ROLLOUT	mm
MOTOR		TIMING	
ROTOR		ARMATURE	
ESC		BATTERIES	
BRUSHLESS	PROGRAM	PUNCH	AUTO BRAKE
BODY		WING	

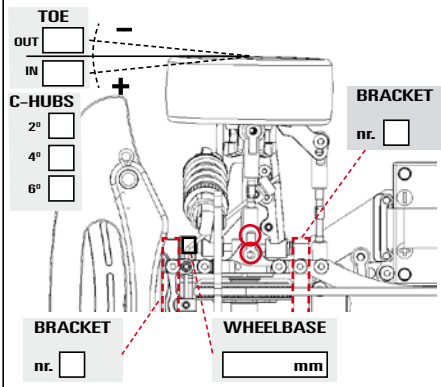
FRONT		SHOCK ABSORBERS		REAR	
OIL	<input type="checkbox"/> CST	<input type="checkbox"/> OPEN	<input type="checkbox"/> CLOSED	OIL	<input type="checkbox"/> CST
SPRING	<input type="checkbox"/>	<input type="checkbox"/>	<input type="checkbox"/>	SPRING	<input type="checkbox"/>
THICKNESS	mm	ANTI-ROLL BAR		THICKNESS	mm

TIRES			
DIAMETER	mm	DIAMETER	mm
INSERTS		INSERTS	
ADDITIVE		ADDITIVE	



REMARKS *Editable by Am0 at PetitRC dot com*

FRONT



REAR

