

DRIVER, TRACK AND RESULTS

DRIVER **Marius Kristensen** COUNTRY **Slovakia** WEATHER AIR TEMP *to hot* TRACK TEMP DRY INTERMEDIATE WET

RACE **EOS rd3** DATE _____ QUALY POS. _____ STARTING POS. _____ FINAL POS. _____ FASTEST LAP _____

TRACK **Hudy arena** TYPE INDOOR OUTDOOR STYLE TIGHT MEDIUM OPEN

SURFACE GRIP LOW MEDIUM HIGH EOS carpet CONDITION SMOOTH ROUGH

TYPE HARD PACKED CLAY CARPET MULTI/SURFACE GRASS BLUE GROOVE DIRT ASTRO-TURF

FRONT SHOCK ABSORBERS		REAR
50 losi cst	OIL	32.5 losi cst
4 dot xray	SPRINGS	4 dot xray
0 mm	REBOUND	0 mm
1 mm	LIMITERS	0 mm
N° HOLES 2 Ø 1,6 mm	PISTONS N° HOLES 2 Ø 1,7 mm	
PISTONS TYPE <input type="checkbox"/> STOCK <input type="checkbox"/> CONICAL <input type="checkbox"/> SQUARE		
<input checked="" type="checkbox"/> SHORT <input type="checkbox"/> LONG	SPRING BUCKETS <input checked="" type="checkbox"/> SHORT <input type="checkbox"/> LONG	
<input type="checkbox"/> BLADDER	SEAL TYPE <input type="checkbox"/> BLADDER	
<input checked="" type="checkbox"/> EMULSION	<input checked="" type="checkbox"/> EMULSION	

FRONT ANTI-ROLL BARS		REAR
<input checked="" type="checkbox"/>	<input checked="" type="checkbox"/>	<input checked="" type="checkbox"/>
1.0	1.2	1.4
1.6	1.8	1.0
1.2	1.4	1.6
1.8		1.8

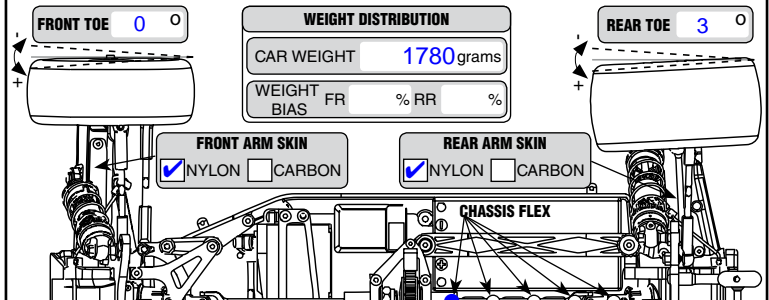
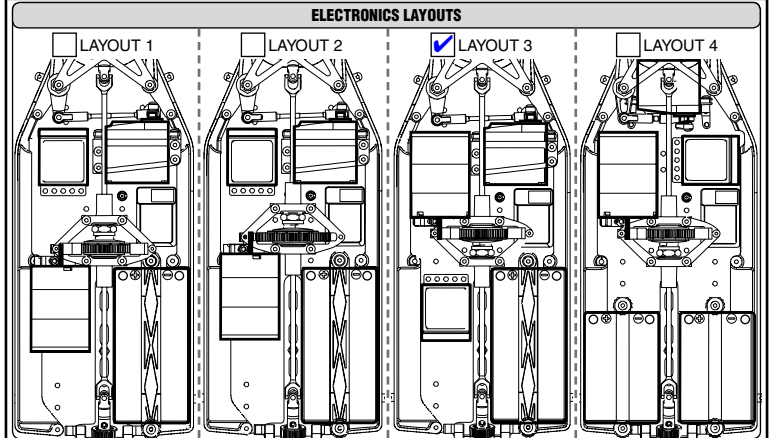
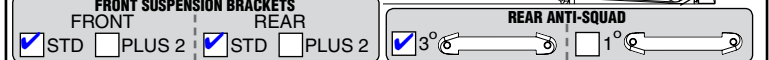
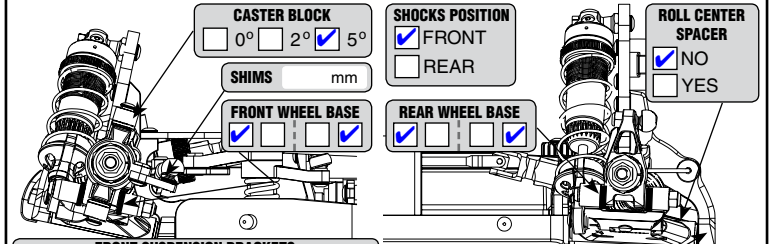
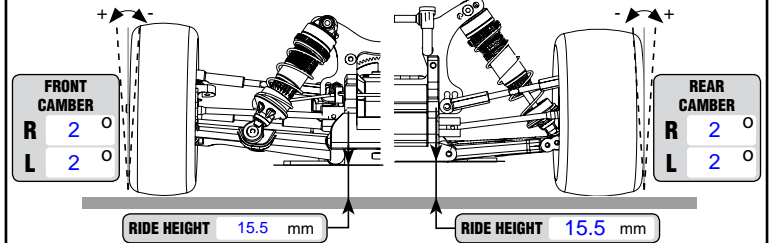
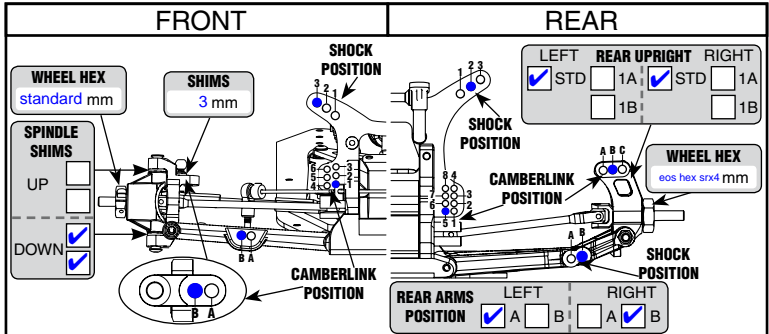
TRANSMISSION	
FRONT DIFF 20 K cst	REAR DIFF 20 K cst
<input checked="" type="checkbox"/> SLIPPER	<input type="checkbox"/> CENTER DIFF

GEARING	
PINION 19 Teeth	SPUR GEAR 86 Teeth

ELECTRONICS	
BATTERY	
BRAND arrowmax	CAPACITY 5000mAh
MOTOR	
BRAND reedy	TYPE 6.0 TIMING 30
ESC	
BRAND reedy	TYPE blackbox

AERODYNAMIC CONFIGURATION	
BODY BRAND serpent	TYPE standard
REAR WING BRAND sworks	TYPE 6.5 pre painted
REAR WING WIDTH _____	REAR WING LIP _____ mm
FRONT WING <input type="checkbox"/> YES <input checked="" type="checkbox"/> NO	TYPE _____

FRONT TIRES		REAR
Schumacher	MAKE	schumacher
widestagger	TYPE	minipin 1
yellow	COMPOUND	yellow
blue	INSERTS	blue
schumacher	WHEELS	schumacher
	ADDITIVE	



REMARKS: glued inserts to arm, glued sidewall on tires. front. number 2 hole on front shock tower