

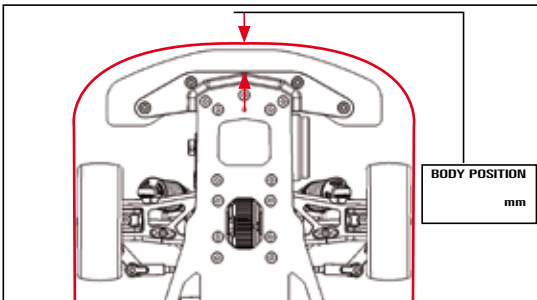
RACE	TITC 2012		
TRACK	RC Addict		
NAME	Marc Fischer		
CITY/COUNTRY	Thailand		
DATE			

TEMPERATURE	AIR	35 °	TRACK	68 °
QUALIFYING POSITION	BEST LAPTIME	17,8 SEC	FINAL POSITION	1
			RACE LENGTH	5 MIN
TRACK CONDITION				
<input type="checkbox"/>	TECHNICAL	<input type="checkbox"/>	MIXED	<input checked="" type="checkbox"/> ASPHALT
<input type="checkbox"/>	LOW	<input type="checkbox"/>	MEDIUM	<input checked="" type="checkbox"/> FAST
<input type="checkbox"/>		<input type="checkbox"/>	HIGH	

FRONT		REAR	
TRANSMISSION			
GEAR DIFF		BALL DIFF	
<input type="checkbox"/>	Cleaning Gum	<input type="checkbox"/>	
<input type="checkbox"/>	ONE WAY	<input type="checkbox"/>	
<input type="checkbox"/>	SPOOL	LOOSE MEDIUM TIGHT	
PINION	47 T	SPUR GEAR	61 T
FINAL DRIVE RATIO		ROLLOUT	mm
MOTOR	13,5	TIMING	
ROTOR		ARMATURE	
ESC		BATTERIES	
BRUSHLESS	PROGRAM	PUNCH	INITIAL BRAKE
			AUTO BRAKE
BODY	VW	WING	Std

FRONT		SHOCK ABSORBERS		REAR	
OIL	600 CST	<input type="radio"/> OPEN	<input checked="" type="radio"/> CLOSED	OIL	600 CST
SPRING	Pink			SPRING	Silver

THICKNESS	1.4 mm	ANTI-ROLL BAR	THICKNESS	1.4 mm
Ride		TIRES	Ride	
mm		DIAMETER	mm	
		INSERTS		
		ADDITIVE		



REMARKS

