

## DRIVER, TRACK AND RESULTS

**DRIVER** Cody King **COUNTRY** \_\_\_\_\_ **WEATHER** AIR TEMP \_\_\_\_\_ TRACK TEMP \_\_\_\_\_  DRY  INTERMEDIATE  WET  
**RACE** PNB **DATE** 2018 **QUALY POS.** \_\_\_\_\_ **STARTING POS.** \_\_\_\_\_ **FINAL POS.** \_\_\_\_\_ **FASTEST LAP** \_\_\_\_\_  
**TRACK** PNB **TYPE**  TIGHT  MEDIUM  OPEN  **GRIP**  LOW  MEDIUM  HIGH   
**SURFACE CONDITION**  SMOOTH  ROUGH   
**TYPE**  HARD PACKED  CLAY  MULTI/SURFACE  GRASS  BLUE GROOVE  DIRT  ASTRO-TURF

FRONT SHOCK ABSORBERS		REAR
<u>475</u> cst	OIL	<u>450</u> cst
<u>Purple V3</u>	SPRINGS	<u>Pink V3</u>
<u>10</u> mm	REBOUND	<u>10</u> mm
N° HOLES <u>5</u> Ø <u>1.5</u> mm	PISTONS	N° HOLES <u>5</u> Ø <u>1.6</u> mm
<input type="checkbox"/> BLADDER	SEAL	<input type="checkbox"/> BLADDER
<input checked="" type="checkbox"/> EMULSION	TYPE	<input checked="" type="checkbox"/> EMULSION

FRONT ANTI-ROLL BARS		REAR
<input type="checkbox"/> 1.8	<input type="checkbox"/> 2.0	<input type="checkbox"/> 1.8
<input type="checkbox"/> 2.3	<input checked="" type="checkbox"/> 2.5	<input type="checkbox"/> 2.0
<input type="checkbox"/> 2.7	<input type="checkbox"/> 3.0	<input checked="" type="checkbox"/> 2.3
<input type="checkbox"/> 2.5	<input type="checkbox"/> 3.0	<input type="checkbox"/> 2.5
<input type="checkbox"/> 2.7	<input type="checkbox"/> 3.0	<input type="checkbox"/> 2.7
<input type="checkbox"/> 3.0	<input type="checkbox"/> 3.0	<input type="checkbox"/> 3.0

DIFFERENTIAL OIL		
FRONT DIFF	CENTER DIFF	REAR DIFF
<u>7</u> cst	<u>7</u> cst	<u>3</u> cst

GEARING	
PINION	SPUR GEAR
<u>16</u> Teeth	<u>44</u> Teeth

ELECTRONICS	
<b>BATTERY</b>	
BRAND <u>EA Motorsports</u>	CAPACITY _____ mAh

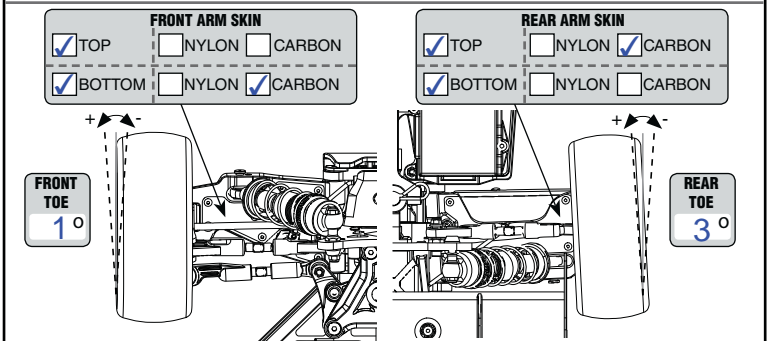
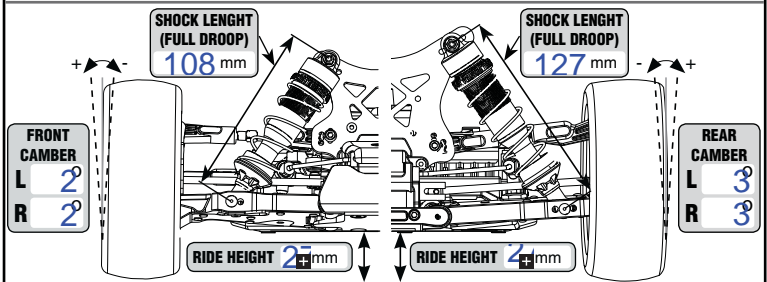
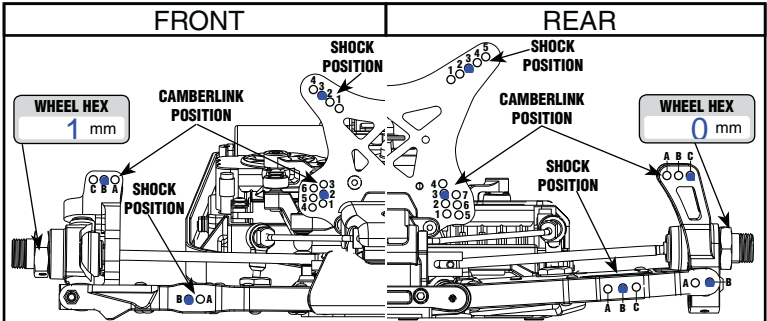
<b>MOTOR</b>		
BRAND <u>Teki</u>	TYPE <u>1900</u>	TIMING _____

<b>ESC</b>	
BRAND <u>Tekin</u>	TYPE <u>Gen 3</u>

ELECTRONICS LAYOUTS	
<input type="checkbox"/> LAYOUT 1	<input checked="" type="checkbox"/> LAYOUT 2
<input type="checkbox"/> 2S STICK BATTERIES	<input checked="" type="checkbox"/> 4S BRICK BATTERY
<input type="checkbox"/> 2S SHORTY REARWARD BATTERIES	<input type="checkbox"/> 2S STICK BATTERIES
<input type="checkbox"/> 2S SHORTY FORWARD BATTERIES	<input type="checkbox"/> 2S SHORTY REARWARD BATTERIES
<input type="checkbox"/> 2S SHORTY FORWARD BATTERIES	<input type="checkbox"/> 2S SHORTY FORWARD BATTERIES

AERODYNAMIC CONFIGURATION	
BODY <input checked="" type="checkbox"/> STANDARD <input type="checkbox"/> HIGH DOWNFORCE <input type="checkbox"/> OTHER	<u>600942</u>
<b>WING</b>	
TYPE <u>Serpent 600825</u>	WING PLATES <input type="checkbox"/> 2° <input checked="" type="checkbox"/> 4° <input type="checkbox"/> 6°
GURNEY STRIP <input type="checkbox"/> YES <input checked="" type="checkbox"/> NO	CENTER FOIL <input type="checkbox"/> YES <input checked="" type="checkbox"/> NO

FRONT TIRES		Controlled Tire	REAR
<u>Proline</u>	MAKE	<input type="checkbox"/>	<u>Proline</u>
<u>Buckshot</u>	TYPE	<input type="checkbox"/>	<u>Buckshot</u>
<u>Proline</u>	INSERTS	<input type="checkbox"/>	<u>Proline</u>
<u>Proline</u>	WHEELS	<input type="checkbox"/>	<u>Proline</u>



<b>STEERING BLOCK ACKERMAN PLATE</b>	<b>REAR HUB ROLL CENTER INSERT</b>
OPTION TYPE <u>1</u>	LOW <input type="checkbox"/> L-H <input type="checkbox"/> MED <input type="checkbox"/> M-MH <input type="checkbox"/> MED <input type="checkbox"/> MH-W <input type="checkbox"/> HIGH <input type="checkbox"/> H-T <input type="checkbox"/>

<b>CASTER BLOCK</b>	<b>WHEEL BASE</b>	<b>UPRIGHT WEIGHT</b>
<input type="checkbox"/> 13° <input type="checkbox"/> 15° <input type="checkbox"/> 17° <input checked="" type="checkbox"/> 19°	<input type="checkbox"/> 0 <input type="checkbox"/> 1.25 <input checked="" type="checkbox"/> 2.5 <input type="checkbox"/> 3.75 <input type="checkbox"/> 5	<input checked="" type="checkbox"/> NONE <input type="checkbox"/> 15 GRAMS
STEERING STOP <u>0</u> mm	SHIMS <u>6</u> mm	

SUSPENSION BRACKETS INSERTS	
FRONT FR INSERTS N° <u>10</u>	REAR FR INSERTS N° <u>1</u>
	REAR RR INSERTS N° <u>3</u>

REMARKS
600997 RR block, LW chassis, for lower grip use #2 rear camberlink on tower and 17 deg castor