

DRIVER, TRACK AND RESULTS

DRIVER	Shin Adachi	COUNTRY	Japan	WEATHER	AIR TEMP	TRACK TEMP	<input checked="" type="checkbox"/> DRY <input type="checkbox"/> INTERMEDIATE <input type="checkbox"/> WET				
RACE	Sunpadow GP	DATE	5-3-2017	QUALY POS.	4	STARTING POS.	3	FINAL POS.	3	FASTEST LAP	33.9
TRACK	ARC	TYPE	<input type="checkbox"/> TIGHT <input checked="" type="checkbox"/> MEDIUM <input type="checkbox"/> OPEN	GRIP	<input checked="" type="checkbox"/> LOW <input type="checkbox"/> MEDIUM <input type="checkbox"/> HIGH						
SURFACE CONDITION	<input type="checkbox"/> SMOOTH <input checked="" type="checkbox"/> ROUGH										
TYPE	<input checked="" type="checkbox"/> HARD PACKED <input type="checkbox"/> CLAY <input type="checkbox"/> MULTI/SURFACE <input type="checkbox"/> GRASS <input type="checkbox"/> BLUE GROOVE <input checked="" type="checkbox"/> DIRT <input type="checkbox"/> ASTRO-TURF										

FRONT SHOCK ABSORBERS		REAR	
Loisi 40 cst	OIL	loisi 32.5 cst	
HB Blue	SPRINGS	HB White	
mm	REBOUND	mm	
N° HOLES	6 ∅ 1.3 mm	PISTONS	N° HOLES 6 ∅ 1.3 mm
<input checked="" type="checkbox"/> BLADDER	SEAL TYPE	<input checked="" type="checkbox"/> BLADDER	
<input type="checkbox"/> EMULSION		<input type="checkbox"/> EMULSION	

FRONT ANTI-ROLL BARS		REAR	
<input type="checkbox"/> 1.8	<input checked="" type="checkbox"/> 2.0	<input type="checkbox"/> 1.8	<input checked="" type="checkbox"/> 2.0
<input type="checkbox"/> 2.3	<input type="checkbox"/> 2.5	<input type="checkbox"/> 2.3	<input type="checkbox"/> 2.5
<input type="checkbox"/> 2.7		<input type="checkbox"/> 2.7	

DIFFERENTIAL OIL		
FRONT DIFF	CENTER DIFF	REAR DIFF
20000 cst	20000 cst	10000 cst

GEARING	
CLUTCH BELL	13 Teeth
SPUR GEAR	46 Teeth

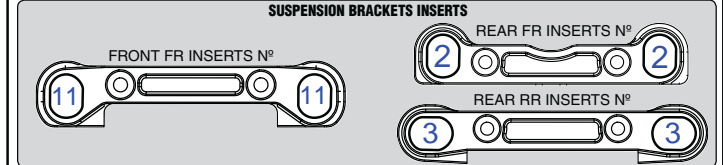
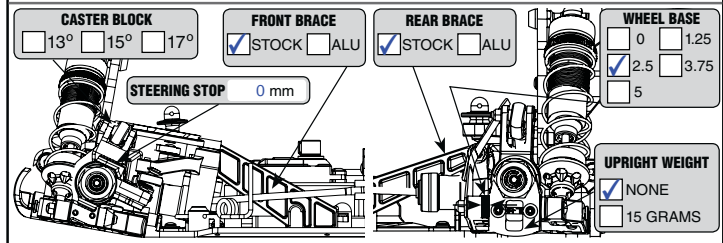
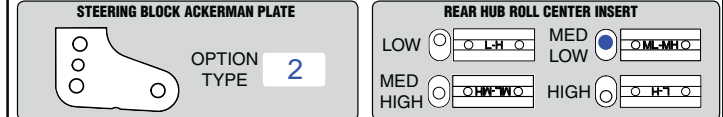
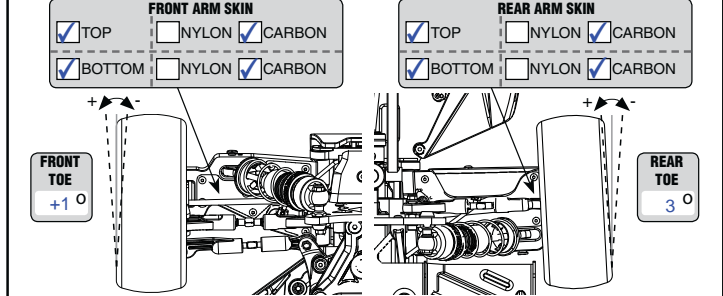
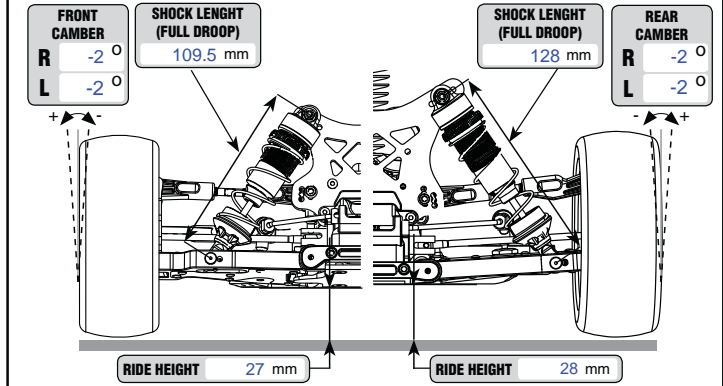
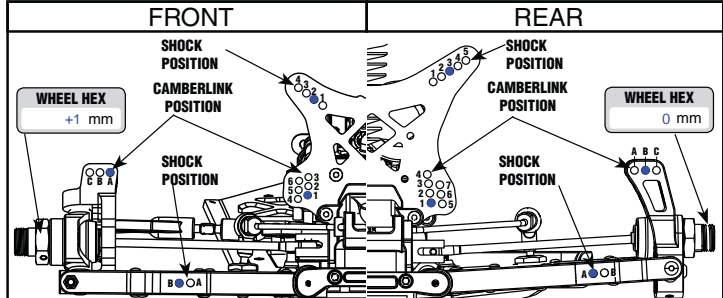
CLUTCH	
<input checked="" type="checkbox"/> STANDARD	<input type="checkbox"/> VENTED
<input type="checkbox"/> STEEL	<input checked="" type="checkbox"/> ALU
CLUTCH SHOES	CLUTCH SPRINGS
SHOE TYPE carbon x 2 with	SPRINGS TYPE 0.9 mm
SHOE TYPE Alu x 2 with	SPRINGS TYPE 0.9 mm

ENGINE, PIPE AND FUEL			
ENGINE BRAND	OS speed	TYPE	B2102
HEADSHIMS	mm	GLOWPLUG	P3
EXHAUST PIPE	OS 2090	MANIFOLD	
FUEL BRAND	Runner time	NITRO	25 %

FLEX CONFIGURATION	
ENGINE MOUNT	<input type="checkbox"/> STANDARD <input checked="" type="checkbox"/> MONOBLOCK

AERODYNAMIC CONFIGURATION	
BODY	<input checked="" type="checkbox"/> STANDARD <input type="checkbox"/> HIGH DOWNFORCE <input type="checkbox"/> OTHER Serpent 600718
WING	
TYPE	Serpent 600825
WING PLATES	<input type="checkbox"/> 2° <input checked="" type="checkbox"/> 4° <input type="checkbox"/> 6°
GURNEY STRIP	<input type="checkbox"/> YES <input checked="" type="checkbox"/> NO
CENTER FOIL	<input type="checkbox"/> YES <input type="checkbox"/> NO

FRONT TIRES		REAR	
AKA	MAKE	AKA	
Double Down	TYPE	Double Down	
AKA	INSERTS	AKA	
AKA	WHEELS	AKA	



REMARKS	C-Hub 19 degrees 600891 - Front Alu shock tower 600846
----------------	--