

DRIVER, TRACK AND RESULTS

DRIVER _____ **COUNTRY** _____ **WEATHER** AIR TEMP _____ TRACK TEMP _____ DRY INTERMEDIATE WET
RACE _____ **DATE** _____ **QUALY POS.** _____ **STARTING POS.** _____ **FINAL POS.** _____ **FASTEST LAP** _____
TRACK _____ **TYPE** TIGHT MEDIUM OPEN **GRIP** LOW MEDIUM HIGH
SURFACE CONDITION SMOOTH ROUGH
TYPE HARD PACKED CLAY MULTI/SURFACE GRASS BLUE GROOVE DIRT ASTRO-TURF

FRONT SHOCK ABSORBERS		REAR	
cst	OIL		cst
SPRINGS			
mm	REBOUND		mm
N° HOLES	Ø mm	PISTONS	N° HOLES Ø mm
<input type="checkbox"/> STRAIGHT <input type="checkbox"/> ANGLED	HOLES TYPE	<input type="checkbox"/> STRAIGHT <input type="checkbox"/> ANGLED	
<input type="checkbox"/> BLADDER	SEAL TYPE	<input type="checkbox"/> BLADDER	
<input type="checkbox"/> EMULSION		<input type="checkbox"/> EMULSION	

ANTI-ROLL BARS

FRONT ANTI-ROLL BAR _____ mm REAR ANTI-ROLL BAR _____ mm

DIFFERENTIALS

FRONT DIFF	CENTER DIFF	REAR DIFF
<input type="checkbox"/> HTD <input type="checkbox"/> STD	<input type="checkbox"/> HTD <input type="checkbox"/> STD	<input type="checkbox"/> HTD <input type="checkbox"/> STD
_____ cst	_____ cst	_____ cst

GEARING

CLUTCH BELL _____ Teeth SPUR GEAR _____ Teeth

CLUTCH

CLUTCH BELL STANDARD VENTED FLYWHEEL STEEL ALU

CLUTCH SHOES _____ x _____ with SPRINGS TYPE _____ mm
 SHOE TYPE _____ x _____ with SPRINGS TYPE _____ mm

ENGINE, PIPE AND FUEL

ENGINE BRAND _____ TYPE _____
 HEADSHIMS _____ mm GLOWPLUG _____ CARB Ø _____ mm
 EXHAUST PIPE _____ MANIFOLD _____
 FUEL BRAND _____ NITRO _____ %

FLEX CONFIGURATION

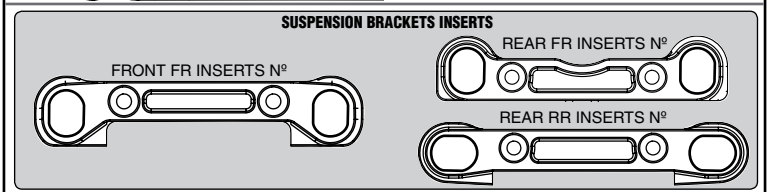
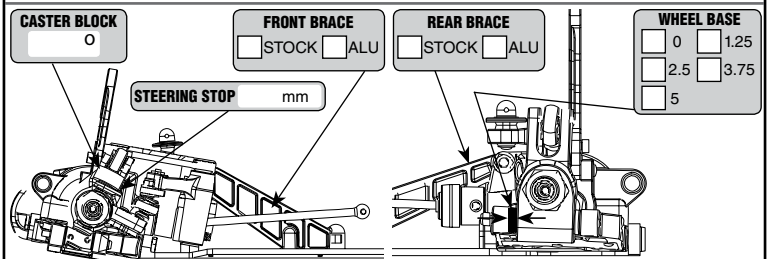
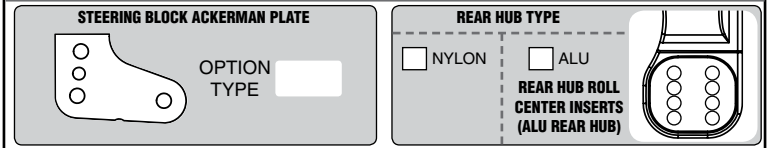
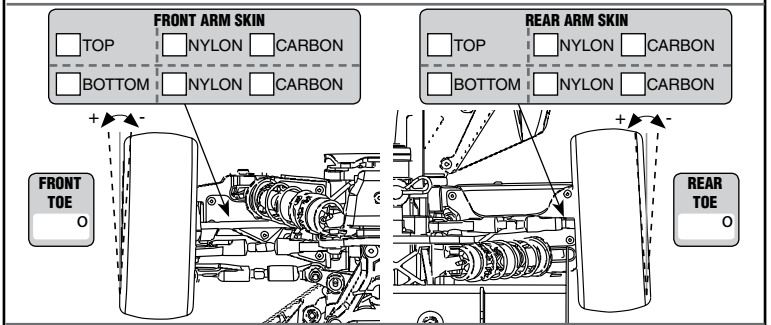
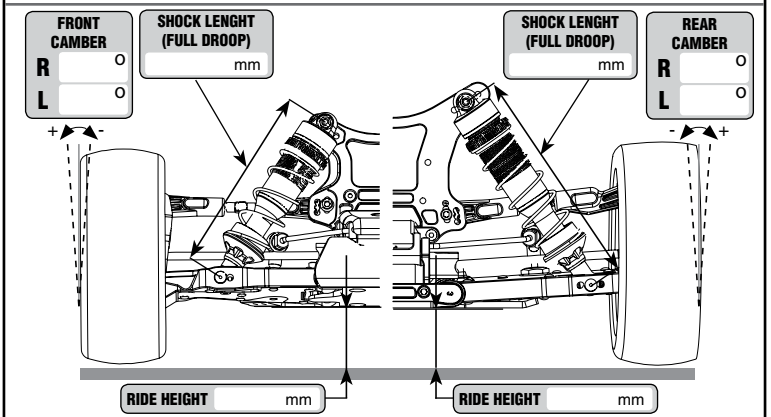
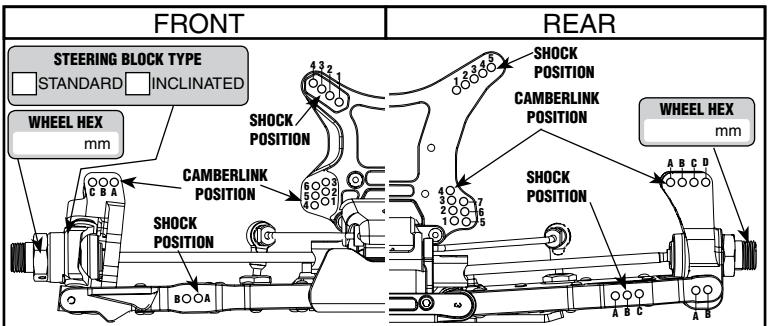
ENGINE MOUNT STANDARD MONOBLOCK

AERODYNAMIC CONFIGURATION

BODY STANDARD HIGH DOWNFORCE OTHER _____

WING
 TYPE _____ WING PLATES 2° 4° 6°
 GURNEY STRIP YES NO CENTER FOIL YES NO

FRONT TIRES	Controlled Tire	REAR
_____	<input type="checkbox"/>	_____
_____		_____
_____		_____
_____		_____



REMARKS _____