

DRIVER, TRACK AND RESULTS

DRIVER _____ **COUNTRY** _____ **WEATHER** AIR TEMP _____ TRACK TEMP _____ DRY INTERMEDIATE WET
RACE _____ **DATE** _____ **QUALY POS.** _____ **STARTING POS.** _____ **FINAL POS.** _____ **FASTEST LAP** _____
TRACK _____ **TYPE** TIGHT MEDIUM OPEN **GRIP** LOW MEDIUM HIGH
SURFACE CONDITION SMOOTH ROUGH
TYPE HARD PACKED CLAY MULTI/SURFACE GRASS BLUE GROOVE DIRT ASTRO-TURF

FRONT SHOCK ABSORBERS		REAR	
cst OIL		cst	
SPRINGS			
mm REBOUND		mm	
N° HOLES	Ø mm	PISTONS	N° HOLES Ø mm
<input type="checkbox"/> STRAIGHT <input type="checkbox"/> ANGLED	HOLES TYPE	<input type="checkbox"/> STRAIGHT <input type="checkbox"/> ANGLED	
<input type="checkbox"/> BLADDER	SEAL TYPE	<input type="checkbox"/> BLADDER	
<input type="checkbox"/> EMULSION		<input type="checkbox"/> EMULSION	

ANTI-ROLL BARS

FRONT ANTI-ROLL BAR _____ mm REAR ANTI-ROLL BAR _____ mm

DIFFERENTIALS

FRONT DIFF <input type="checkbox"/> HTD <input type="checkbox"/> STD cst	CENTER DIFF <input type="checkbox"/> HTD <input type="checkbox"/> STD cst	REAR DIFF <input type="checkbox"/> HTD <input type="checkbox"/> STD cst
--	---	---

GEARING

PINION _____ Teeth SPUR GEAR _____ Teeth

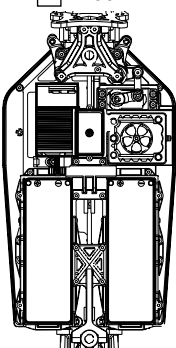
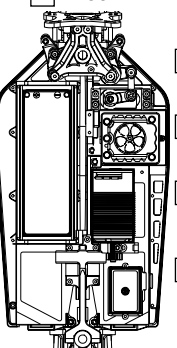
ELECTRONICS

BATTERY
 BRAND _____ CAPACITY _____ mAh

MOTOR
 BRAND _____ TYPE _____ TIMING _____

ESC
 BRAND _____ TYPE _____

ELECTRONICS LAYOUTS

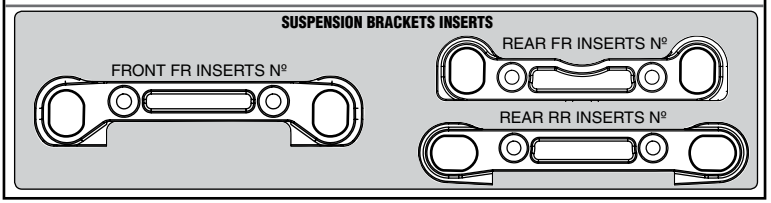
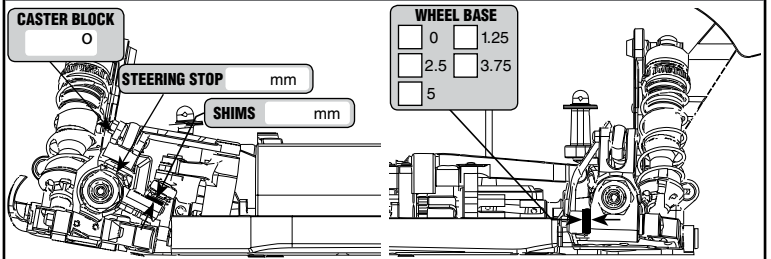
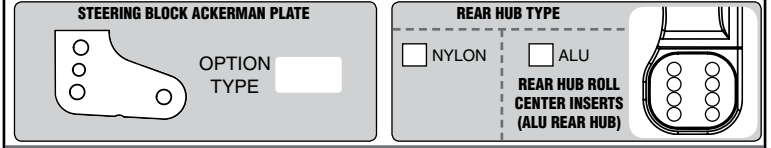
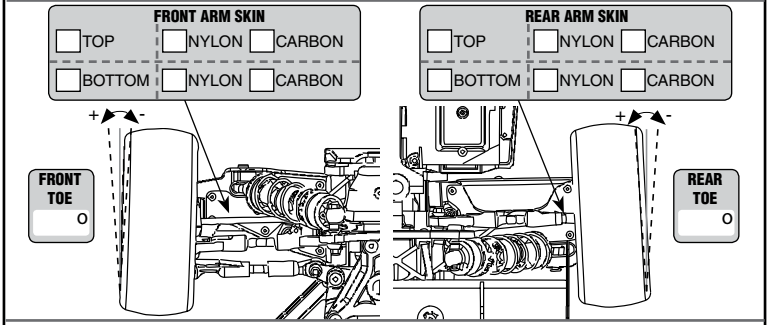
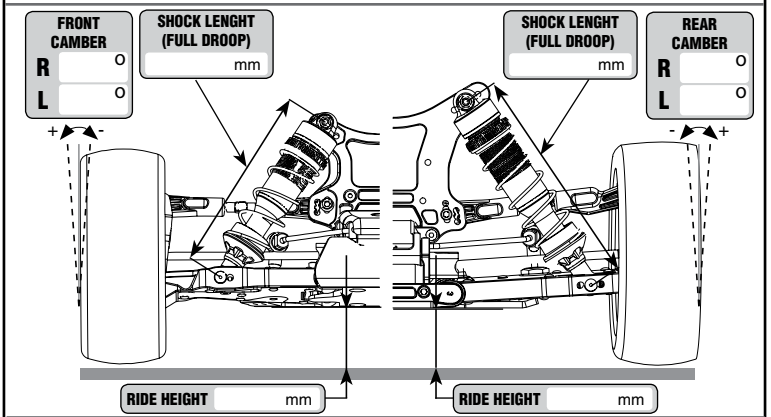
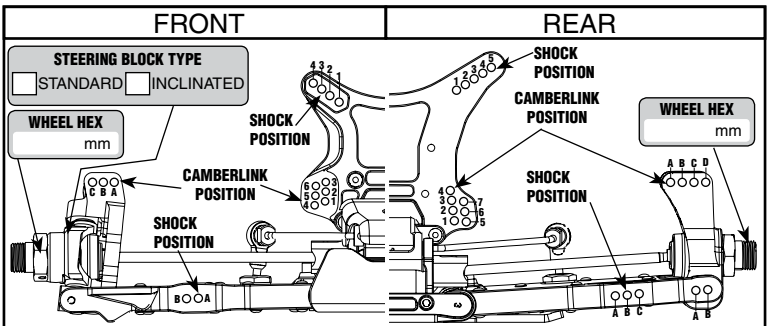
<input type="checkbox"/> LAYOUT 1  <input type="checkbox"/> 2S STICK BATTERIES <input type="checkbox"/> 2S SHORTY REARWARD BATTERIES <input type="checkbox"/> 2S SHORTY FORWARD BATTERIES	<input type="checkbox"/> LAYOUT 2  <input type="checkbox"/> 4S BRICK BATTERY <input type="checkbox"/> 2S STICK BATTERIES <input type="checkbox"/> 2S SHORTY REARWARD BATTERIES <input type="checkbox"/> 2S SHORTY FORWARD BATTERIES
---	---

AERODYNAMIC CONFIGURATION

BODY STANDARD HIGH DOWNFORCE OTHER

WING
 TYPE _____ WING PLATES 2° 4° 6°
 GURNEY STRIP YES NO CENTER FOIL YES NO

FRONT TIRES Controlled Tire **REAR** _____
 MAKE _____
 TYPE _____
 INSERTS _____
 WHEELS _____



REMARKS

