

## DRIVER, TRACK AND RESULTS

DRIVER  COUNTRY  WEATHER AIR TEMP  TRACK TEMP   DRY  INTERMEDIATE  WET

RACE  DATE  QUALY POS.  STARTING POS.  FINAL POS.  FASTEST LAP

TRACK  TYPE  TIGHT  MEDIUM  OPEN  GRIP  LOW  MEDIUM  HIGH

SURFACE CONDITION  SMOOTH  ROUGH

TYPE  HARD PACKED  CLAY  MULTI/SURFACE  GRASS  BLUE GROOVE  DIRT  ASTRO-TURF

FRONT SHOCK ABSORBERS		REAR	
<input type="text"/> cst	OIL	<input type="text"/> cst	
SPRINGS			
<input type="text"/> mm	REBOUND	<input type="text"/> mm	
N° HOLES <input type="text"/>	Ø <input type="text"/> mm	PISTONS N° HOLES <input type="text"/>	Ø <input type="text"/> mm
<input type="checkbox"/> STRAIGHT <input type="checkbox"/> ANGLED	HOLES TYPE	<input type="checkbox"/> STRAIGHT <input type="checkbox"/> ANGLED	
<input type="checkbox"/> BLADDER	SEAL	<input type="checkbox"/> BLADDER	
<input type="checkbox"/> EMULSION	TYPE	<input type="checkbox"/> EMULSION	

### ANTI-ROLL BARS

FRONT ANTI-ROLL BAR <input type="text"/> mm	REAR ANTI-ROLL BAR <input type="text"/> mm
---	--

### DIFFERENTIALS

FRONT DIFF <input type="checkbox"/> HTD <input type="checkbox"/> STD	CENTER DIFF <input type="checkbox"/> HTD <input type="checkbox"/> STD	REAR DIFF <input type="checkbox"/> HTD <input type="checkbox"/> STD
<input type="text"/> cst	<input type="text"/> cst	<input type="text"/> cst

### GEARING

PINION <input type="text"/> Teeth	SPUR GEAR <input type="text"/> Teeth
-----------------------------------	--------------------------------------

### ELECTRONICS

#### BATTERY

BRAND  CAPACITY  mAh

#### MOTOR

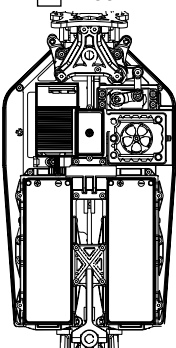
BRAND  TYPE  TIMING

#### ESC

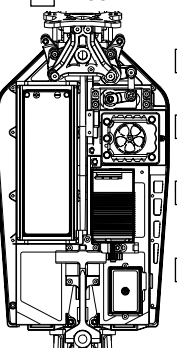
BRAND  TYPE

#### ELECTRONICS LAYOUTS

<input type="checkbox"/> LAYOUT 1	<input type="checkbox"/> LAYOUT 2
-----------------------------------	-----------------------------------



2S STICK BATTERIES  
2S SHORTY REARWARD BATTERIES  
2S SHORTY FORWARD BATTERIES



4S BRICK BATTERY  
2S STICK BATTERIES  
2S SHORTY REARWARD BATTERIES  
2S SHORTY FORWARD BATTERIES

### AERODYNAMIC CONFIGURATION

BODY  STANDARD  HIGH DOWNFORCE  OTHER

#### WING

TYPE  WING PLATES  2°  4°  6°  
GURNEY STRIP  YES  NO CENTER FOIL  YES  NO

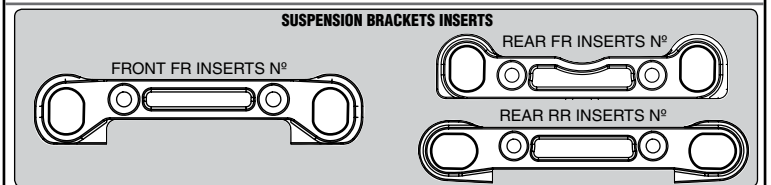
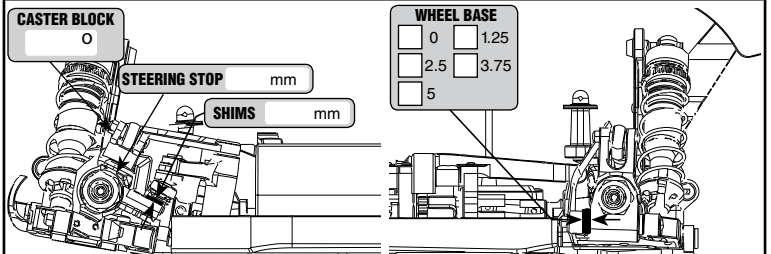
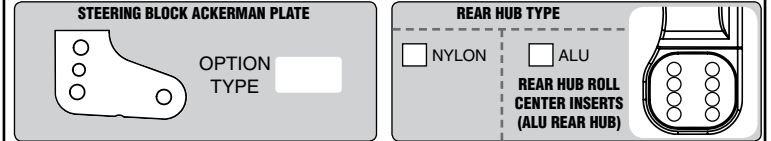
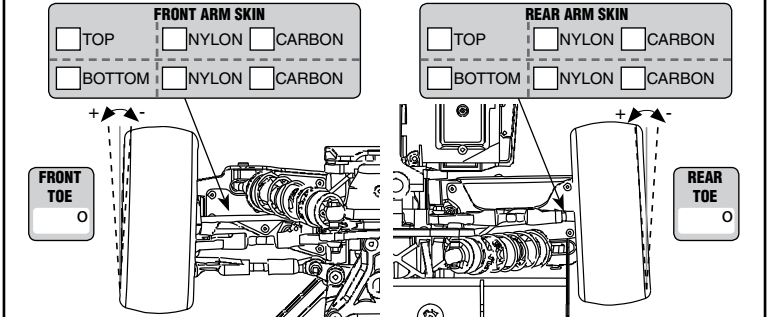
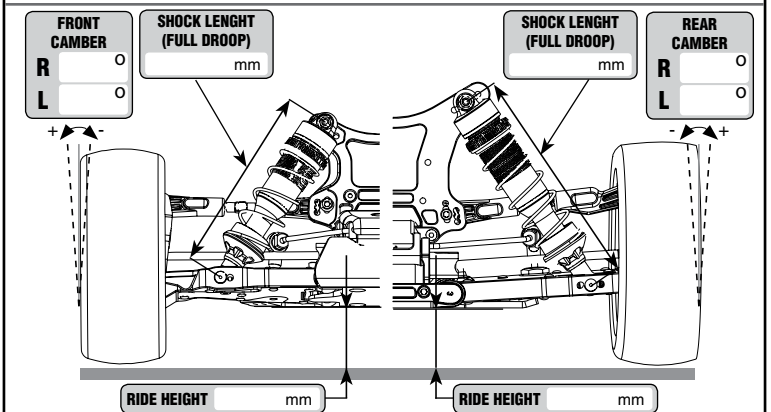
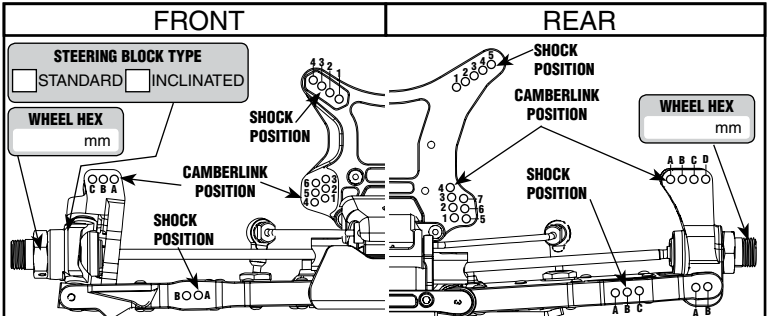
FRONT TIRES  Controlled Tire  REAR

MAKE

TYPE

INSERTS

WHEELS



### REMARKS