

DRIVER, TRACK AND RESULTS

DRIVER Colin Meijer COUNTRY **WEATHER** AIR TEMP 26 TRACK TEMP DRY INTERMEDIATE WET

RACE NRW Cup Race 1 DATE 20-5-2018 QUALY POS. 1 STARTING POS. 1 FINAL POS. 1 FASTEST LAP 26.2

TRACK MFK Kurten TYPE TIGHT MEDIUM OPEN GRIP LOW MEDIUM HIGH

SURFACE CONDITION SMOOTH ROUGH

TYPE HARD PACKED CLAY MULTI/SURFACE GRASS BLUE GROOVE DIRT ASTRO-TURF

FRONT SHOCK ABSORBERS		REAR	
<u>550cst</u>	<u>OIL</u>	<u>450cst</u>	
<u>Serpent V2 Blue</u>	<u>SPRINGS</u>	<u>Kyosho blue</u>	
<u>10mm</u>	<u>REBOUND</u>	<u>10mm</u>	
N° HOLES <u>5</u> Ø <u>1.3mm</u>	PISTONS	N° HOLES <u>5</u> Ø <u>1.3mm</u>	
<input checked="" type="checkbox"/> BLADDER	SEAL	<input checked="" type="checkbox"/> BLADDER	
<input type="checkbox"/> EMULSION	TYPE	<input type="checkbox"/> EMULSION	

FRONT ANTI-ROLL BARS		REAR	
<input type="checkbox"/>	<input type="checkbox"/>	<input type="checkbox"/>	<input checked="" type="checkbox"/>
1.8	2.0	2.3	2.5
2.7	3.0	1.8	2.0
		2.3	2.5
		2.7	3.0

DIFFERENTIAL OIL		
FRONT DIFF	CENTER DIFF	REAR DIFF
<u>20cst</u>	<u>20cst</u>	<u>10cst</u>

GEARING	
PINION	SPUR GEAR
<u>17Teeth</u>	<u>44Teeth</u>

ELECTRONICS BATTERY	
BRAND	CAPACITY
<u>intellect</u>	<u>mAh</u>

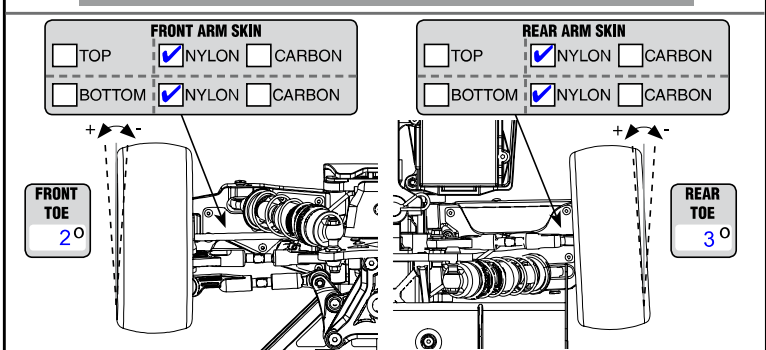
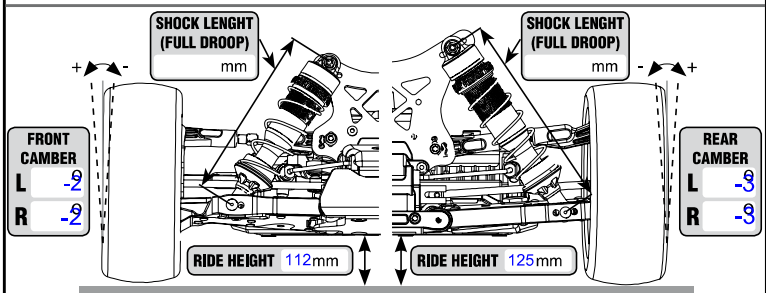
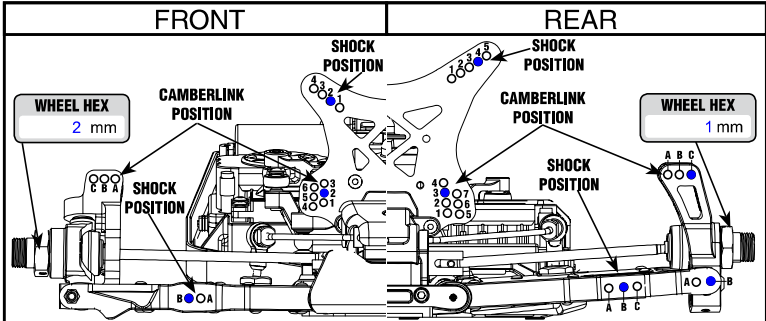
MOTOR	
BRAND	TYPE
<u>REDS</u>	<u>1900</u>
	TIMING
	<u></u>

ESC	
BRAND	TYPE
<u>TEKIN</u>	<u>GEN2</u>

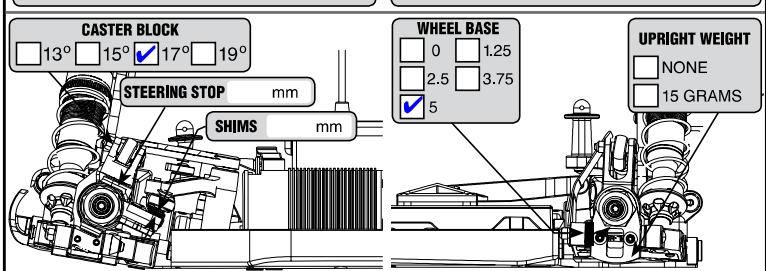
ELECTRONICS LAYOUTS	
<input type="checkbox"/> LAYOUT 1	<input type="checkbox"/> LAYOUT 2
<input checked="" type="checkbox"/> 2S STICK BATTERIES	<input type="checkbox"/> 4S BRICK BATTERY
<input type="checkbox"/> 2S SHORTY REARWARD BATTERIES	<input type="checkbox"/> 2S STICK BATTERIES
<input checked="" type="checkbox"/> 2S SHORTY FORWARD BATTERIES	<input type="checkbox"/> 2S SHORTY REARWARD BATTERIES
	<input type="checkbox"/> 2S SHORTY FORWARD BATTERIES

AERODYNAMIC CONFIGURATION	
BODY	<input checked="" type="checkbox"/> STANDARD <input type="checkbox"/> HIGH DOWNFORCE <input type="checkbox"/> OTHER
WING	
TYPE	WING PLATES
<u>Cobra 811</u>	<input type="checkbox"/> 2° <input checked="" type="checkbox"/> 4° <input type="checkbox"/> 6°
GURNEY STRIP	CENTER FOIL
<input type="checkbox"/> YES <input type="checkbox"/> NO	<input type="checkbox"/> YES <input type="checkbox"/> NO

FRONT TIRES		REAR	
<u>GRP</u>	<u>MAKE</u>	<u>GRP</u>	
<u>EASY</u>	<u>TYPE</u>	<u>EASY</u>	
<u>GRP</u>	<u>INSERTS</u>	<u>GRP</u>	
<u>GRP</u>	<u>WHEELS</u>	<u>GRP</u>	



STEERING BLOCK ACKERMAN PLATE	REAR HUB ROLL CENTER INSERT
OPTION TYPE <u>2</u>	LOW <input type="checkbox"/> MED <input type="checkbox"/> HIGH <input type="checkbox"/>



SUSPENSION BRACKETS INSERTS	
FRONT FR INSERTS N° <u>2</u>	REAR FR INSERTS N° <u>10</u>
	REAR RR INSERTS N° <u>2</u>

REMARKS
<u>Tyre controlled race Uprights EVO</u>