

Front	Differential	Rear
<input type="checkbox"/> Ball	<input type="checkbox"/> Ball	<input type="checkbox"/> Ball
<input type="checkbox"/> Gear	cst	<input type="checkbox"/> Gear
<input type="checkbox"/> Oneway		<input type="checkbox"/> Gear
Differential Height		Differential Height
<input type="checkbox"/> High <input type="checkbox"/> Med <input type="checkbox"/> Low		<input type="checkbox"/> High <input type="checkbox"/> Med <input type="checkbox"/> Low

Gear Ratio	
Spur Gear	
Pinion	
Final Drive Ratio	

Electronics	
Battery	
Motor	Timing
ESC	
ESC Setting	
Radio	
Receiver	

Shock Absorbers	
Oil	
Spring	
Limiters (2)	
Length (3)	
Rebound (4)	
Bladder / Seal (5)	
Spring Cup	
Pistons (1)	

Front	Rear
cst	cst
mm	mm
mm	mm
mm	mm
<input type="checkbox"/> Bladder	<input type="checkbox"/> Bladder
<input type="checkbox"/> Seal	<input type="checkbox"/> Seal
<input type="checkbox"/> Short	<input type="checkbox"/> Short
<input type="checkbox"/> Long	<input type="checkbox"/> Long
# Holes	
Diameter	mm
Type	<input type="checkbox"/> Stock <input type="checkbox"/> Conical <input type="checkbox"/> Square
	<input type="checkbox"/> ^ <input type="checkbox"/> V

Front	Anti-Roll Bar	Rear
<input type="checkbox"/> 0.9 <input type="checkbox"/> 1 <input type="checkbox"/> 1.1	<input type="checkbox"/> 1.1 <input type="checkbox"/> 1.3 <input type="checkbox"/> 1.5	<input type="checkbox"/> Other

Front	Tires	Rear
Controlled Tire <input type="checkbox"/>		
	Brand	
	Type	
	Compound	
	Insert	
	Wheel	
	Additive	
	Comments	

Aerodynamics	
Body	
Rear Wing	
Rear Wing Width	
Rear Wing Lip	mm
Rear Wing Angle	0 <input type="checkbox"/> 2 <input type="checkbox"/> 4 <input type="checkbox"/> 6 <input type="checkbox"/> 8 <input type="checkbox"/>
Front Wing	No <input type="checkbox"/> Yes <input type="checkbox"/>

Race Date Track

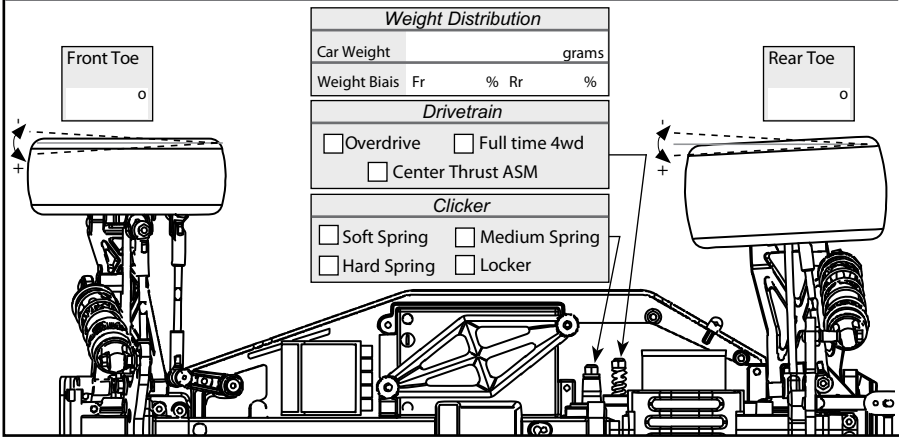
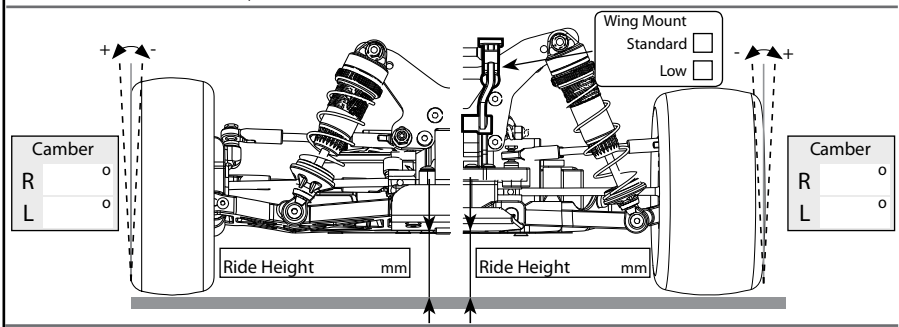
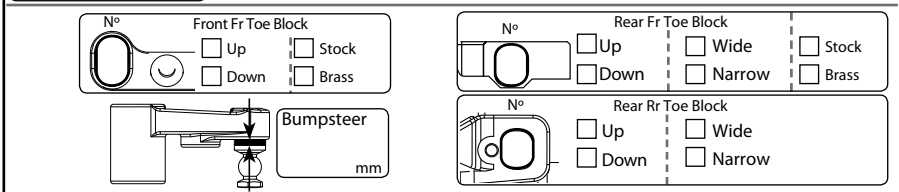
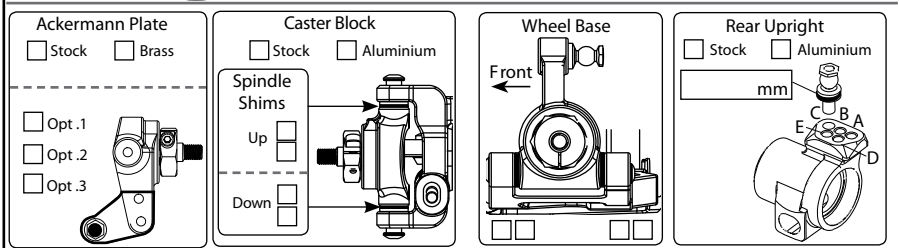
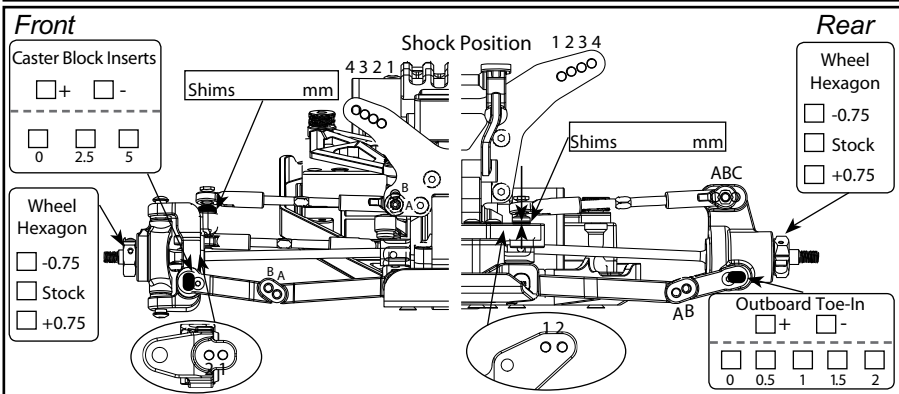
Driver Track Temp Air Temp

Track Description Indoor Tight Medium Low Bite High Bite

Outdoor Open Medium Bite

Dry Smooth Hard Packed Grass AstroTurf Clay Dirt

Wet Rough Blue Groove Carpet Multisurface



Comments