

## DRIVER, TRACK AND RESULTS

**DRIVER** Eric Chambers **COUNTRY** \_\_\_\_\_ **WEATHER** AIR TEMP \_\_\_\_\_ TRACK TEMP \_\_\_\_\_  DRY  INTERMEDIATE  WET  
**RACE** JC Turf Nats **DATE** 9/9/18 **QUALY POS.** \_\_\_\_\_ **STARTING POS.** \_\_\_\_\_ **FINAL POS.** \_\_\_\_\_ **FASTEST LAP** \_\_\_\_\_  
**TRACK** RC Madness turf **TYPE**  INDOOR  OUTDOOR **STYLE**  TIGHT  MEDIUM  OPEN  
**SURFACE GRIP**  LOW  MEDIUM  HIGH **CONDITION**  SMOOTH  ROUGH  
**TYPE**  HARD PACKED  CLAY  CARPET  MULTI/SURFACE  GRASS  BLUE GROOVE  DIRT  ASTRO-TURF

**FRONT SHOCK ABSORBERS** **REAR**  
 500 PT RC cst OIL 425 PT RC cst  
 Yok RP black SPRINGS Yok RP black  
 2 mm REBOUND 2 mm  
 mm LIMITERS mm  
 N° HOLES 2 Ø 1.6 mm PISTONS N° HOLES 2 Ø 1.8 mm  
 PISTONS TYPE  STOCK  CONICAL  SQUARE  
 SHORT  LONG SPRING BUCKETS  SHORT  LONG  
 BLADDER SEAL  BLADDER  
 EMULSION TYPE  EMULSION

FRONT **ANTI-ROLL BARS**  REAR  
 0.9  1  1.1  OTHER 1.2 mm  1.1  1.3  1.5  OTHER mm

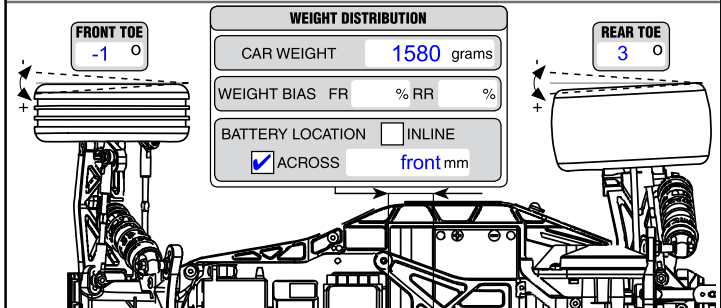
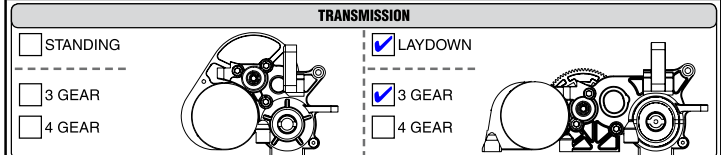
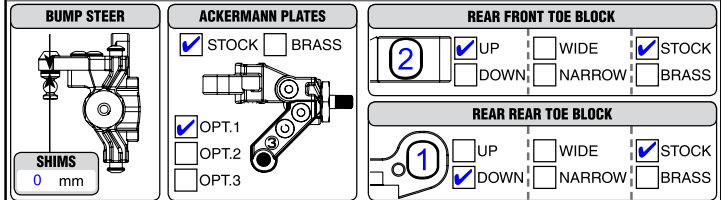
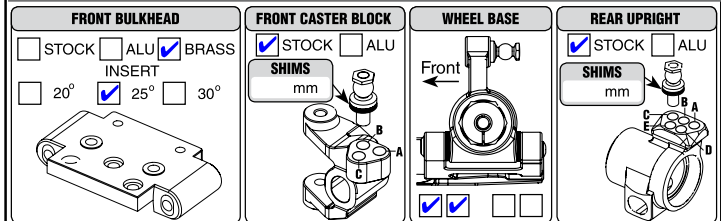
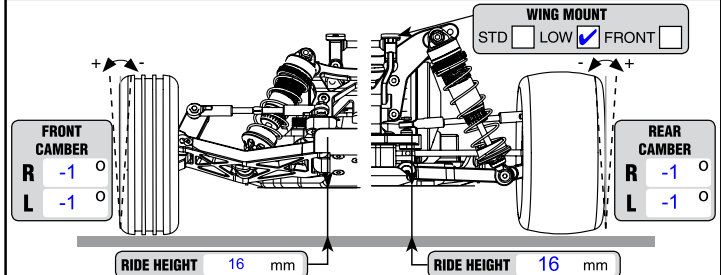
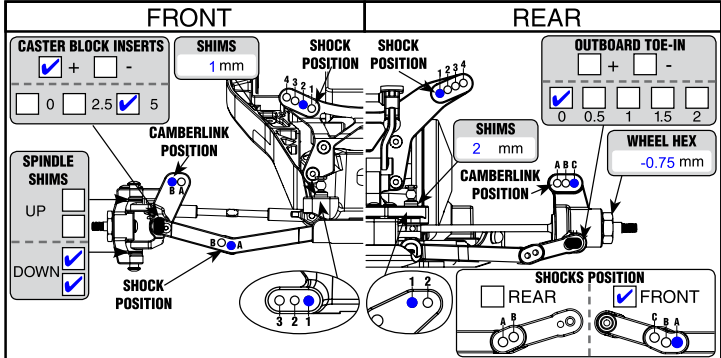
**REAR DIFFERENTIAL**  
 BALL DIFFERENTIAL DIFFERENTIAL HEIGHT  
 GEAR DIFF 7k 2 gear cst  HIGH  MED  LOW  FIXED

**GEARING**  
 PINION 84 Teeth SPUR GEAR 22 Teeth

**ELECTRONICS**  
**BATTERY**  
 BRAND SMC CAPACITY 4600 mAh  
**MOTOR**  
 BRAND SMC TYPE 6.5 TIMING 20  
**ESC**  
 BRAND SMC TYPE R170

**AERODYNAMIC CONFIGURATION**  
 BODY BRAND Serpent TYPE LW  
 REAR WING BRAND Rawspeed TYPE \_\_\_\_\_  
 REAR WING WIDTH \_\_\_\_\_ REAR WING LIP mm  
 REAR WING ANGLE  0°  2°  4°  6°  8°  
 FRONT WING  YES  NO TYPE JC AE small

**FRONT TIRES** Controlled Tire  REAR  
 JC MAKE JC  
 Swaggers TYPE Pindowns  
 COMPOUND \_\_\_\_\_  
 INSERTS \_\_\_\_\_  
 WHEELS \_\_\_\_\_  
 ADDITIVE \_\_\_\_\_



**REMARKS** Homemade front swaybar. Short steering servo. LW aluminum chassis. Probably should have run heavier rear shock oil, felt bouncy on the bench. 85mm front shock length, 100mm rear shock length.