

## DRIVER, TRACK AND RESULTS

DRIVER  COUNTRY  WEATHER AIR TEMP  TRACK TEMP   DRY  INTERMEDIATE  WET

RACE  DATE  QUALY POS.  STARTING POS.  FINAL POS.  FASTEST LAP

TRACK  TYPE  INDOOR  OUTDOOR STYLE  TIGHT  MEDIUM  OPEN

SURFACE GRIP  LOW  MEDIUM  HIGH  CONDITION  SMOOTH  ROUGH

TYPE  HARD PACKED  CLAY  CARPET  MULTI/SURFACE  GRASS  BLUE GROOVE  DIRT  ASTRO-TURF

FRONT	SHOCK ABSORBERS	REAR
<input type="text"/>	cst OIL	cst
SPRINGS		
<input type="text"/>	mm REBOUND	mm
<input type="text"/>	mm LIMITERS	mm
<input type="text"/>	mm LENGTH	mm
N° HOLES <input type="text"/>	mm PISTONS N° HOLES <input type="text"/>	mm
PISTONS TYPE <input type="checkbox"/> STOCK <input type="checkbox"/> CONICAL <input type="checkbox"/> SQUARE		
<input type="checkbox"/> HIGH <input type="checkbox"/> LOW SPRING BUCKETS <input type="checkbox"/> HIGH <input type="checkbox"/> LOW		
<input type="checkbox"/> BLADDER SEAL <input type="checkbox"/> BLADDER		
<input type="checkbox"/> EMULSION TYPE <input type="checkbox"/> EMULSION		

FRONT **ANTI-ROLL BARS**  REAR

0.9  1  1.1  OTHER  mm  1.1  1.3  1.5  OTHER  mm

**REAR DIFFERENTIAL**

BALL DIFFERENTIAL DIFFERENTIAL HEIGHT  HIGH  MED  LOW  FIXED

GEAR DIFF cst

**GEARING**

PINION  Teeth SPUR GEAR  Teeth

**ELECTRONICS**

**BATTERY**

BRAND  CAPACITY  mAh

**MOTOR**

BRAND  TYPE  TIMING

**ESC**

BRAND  TYPE

**AERODYNAMIC CONFIGURATION**

BODY BRAND  TYPE

REAR WING BRAND  TYPE

REAR WING WIDTH  REAR WING LIP  mm

REAR WING ANGLE  0°  2°  4°  6°  8°

FRONT WING  YES  NO TYPE

FRONT **TIRES** Controlled Tire  REAR

MAKE

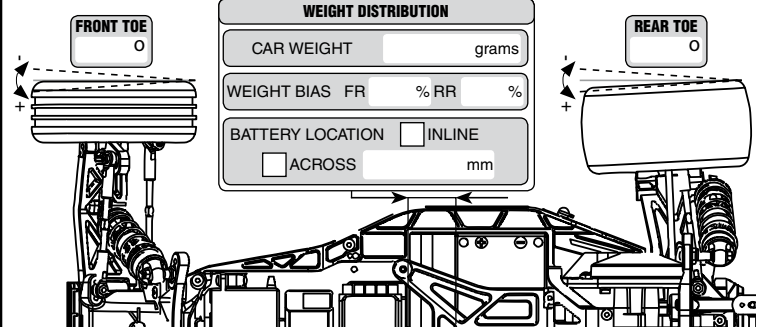
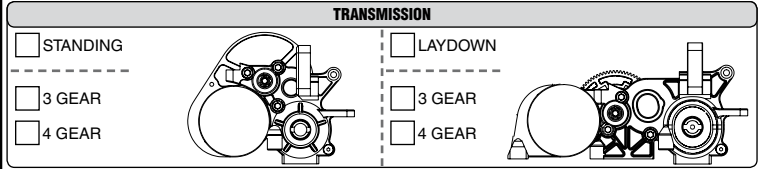
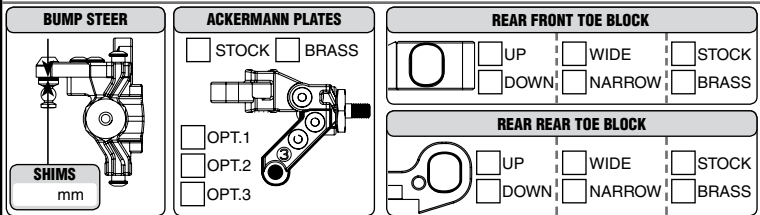
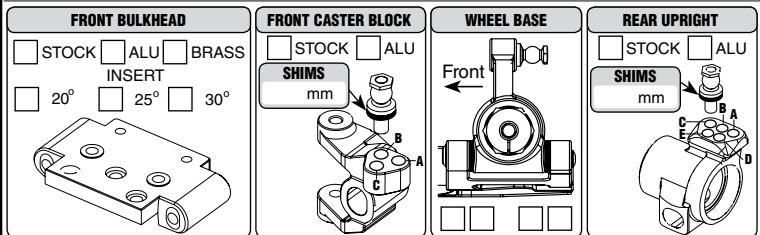
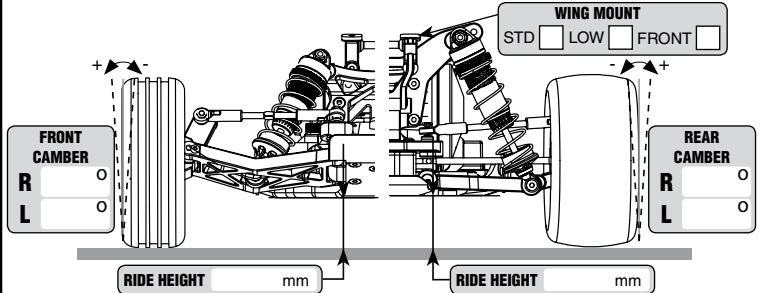
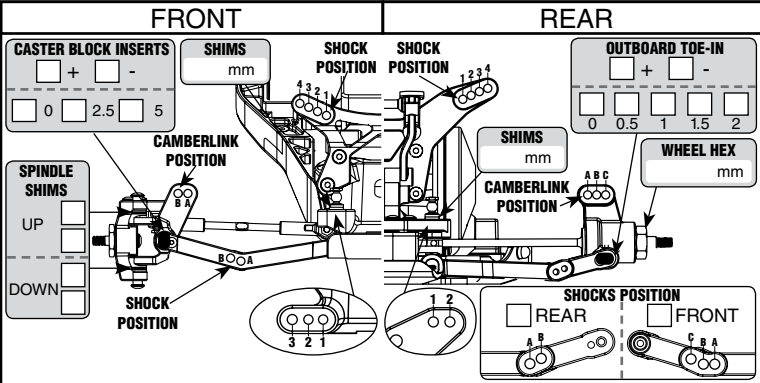
TYPE

COMPOUND

INSERTS

WHEELS

ADDITIVE



REMARKS