

## DRIVER, TRACK AND RESULTS

DRIVER  COUNTRY  WEATHER AIR TEMP  TRACK TEMP   DRY  INTERMEDIATE  WET

RACE  DATE  QUALY POS.  STARTING POS.  FINAL POS.  FASTEST LAP

TRACK  TYPE  INDOOR  OUTDOOR STYLE  TIGHT  MEDIUM  OPEN

SURFACE GRIP  LOW  MEDIUM  HIGH  CONDITION  SMOOTH  ROUGH

TYPE  HARD PACKED  CLAY  CARPET  MULTI/SURFACE  GRASS  BLUE GROOVE  DIRT  ASTRO-TURF

FRONT	SHOCK ABSORBERS	REAR
<input type="text"/>	cst OIL <input type="text"/>	cst <input type="text"/>
SPRINGS <input type="text"/>		
<input type="text"/>	mm REBOUND <input type="text"/>	mm <input type="text"/>
<input type="text"/>	mm LIMITERS <input type="text"/>	mm <input type="text"/>
N° HOLES <input type="text"/>	Ø mm PISTONS N° HOLES <input type="text"/>	Ø mm <input type="text"/>
PISTONS TYPE <input type="checkbox"/> STOCK <input type="checkbox"/> CONICAL <input type="checkbox"/> SQUARE		
<input type="checkbox"/> SHORT <input type="checkbox"/> LONG SPRING BUCKETS <input type="checkbox"/> SHORT <input type="checkbox"/> LONG		
<input type="checkbox"/> BLADDER	SEAL <input type="checkbox"/> BLADDER	<input type="checkbox"/> BLADDER
<input type="checkbox"/> EMULSION	TYPE <input type="checkbox"/> EMULSION	<input type="checkbox"/> EMULSION

FRONT	ANTI-ROLL BARS	REAR
<input type="checkbox"/>	<input type="checkbox"/> OTHER <input type="checkbox"/>	<input type="checkbox"/> OTHER <input type="checkbox"/>
0.9	1 1.1 mm	1.1 1.3 1.5 mm

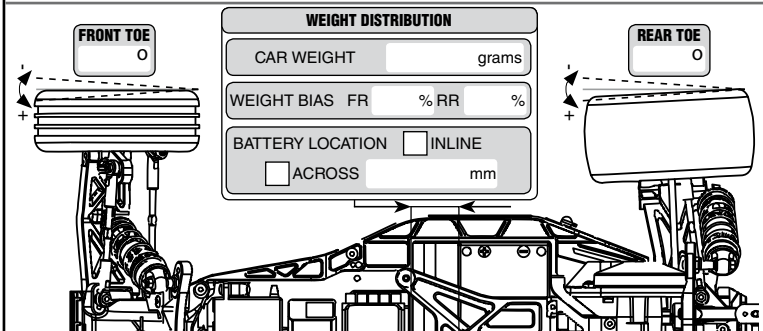
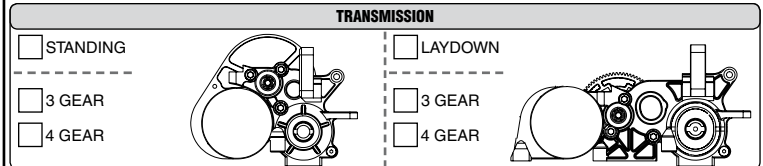
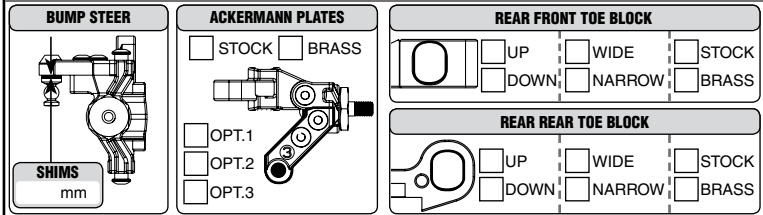
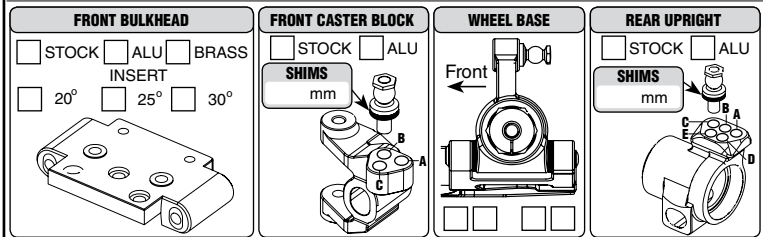
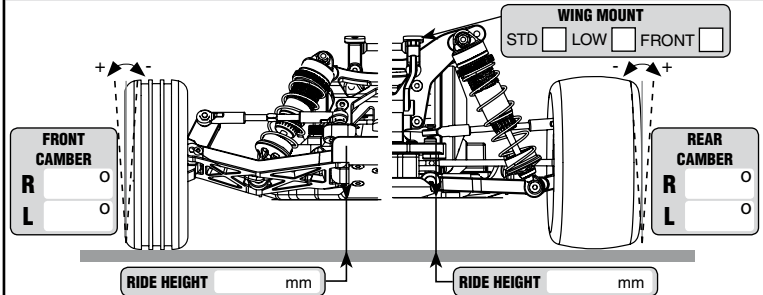
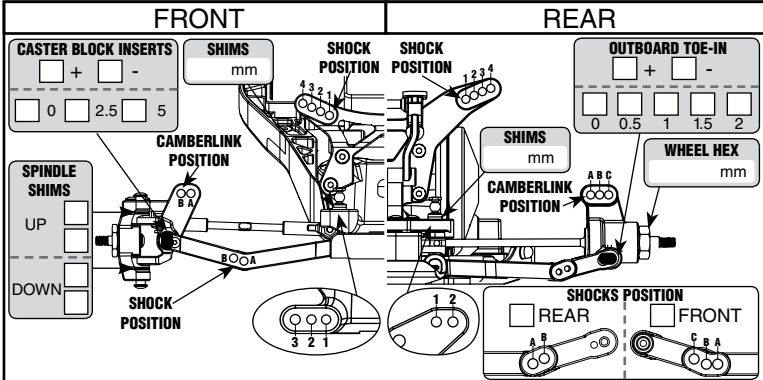
REAR DIFFERENTIAL	
<input type="checkbox"/> BALL DIFFERENTIAL	DIFFERENTIAL HEIGHT <input type="checkbox"/> HIGH <input type="checkbox"/> MED <input type="checkbox"/> LOW <input type="checkbox"/> FIXED
<input type="checkbox"/> GEAR DIFF	cst <input type="text"/>

GEARING	
PINION <input type="text"/>	Teeth <input type="text"/>
SPUR GEAR <input type="text"/>	Teeth <input type="text"/>

ELECTRONICS	
BATTERY	
BRAND <input type="text"/>	CAPACITY <input type="text"/> mAh
MOTOR	
BRAND <input type="text"/>	TYPE <input type="text"/> TIMING <input type="text"/>
ESC	
BRAND <input type="text"/>	TYPE <input type="text"/>

AERODYNAMIC CONFIGURATION	
BODY BRAND <input type="text"/>	TYPE <input type="text"/>
REAR WING BRAND <input type="text"/>	TYPE <input type="text"/>
REAR WING WIDTH <input type="text"/>	REAR WING LIP <input type="text"/> mm
REAR WING ANGLE <input type="checkbox"/> 0° <input type="checkbox"/> 2° <input type="checkbox"/> 4° <input type="checkbox"/> 6° <input type="checkbox"/> 8°	
FRONT WING <input type="checkbox"/> YES <input type="checkbox"/> NO TYPE <input type="text"/>	

FRONT TIRES	Controlled Tire <input type="checkbox"/>	REAR
<input type="text"/>		<input type="text"/>
<input type="text"/>		<input type="text"/>
<input type="text"/>		<input type="text"/>
<input type="text"/>		<input type="text"/>
<input type="text"/>		<input type="text"/>
<input type="text"/>		<input type="text"/>



REMARKS