

DRIVER, TRACK AND RESULTS

DRIVER	Billy Easton	COUNTRY	USA	WEATHER	AIR TEMP 85	TRACK TEMP	<input type="checkbox"/> DRY <input type="checkbox"/> INTERMEDIATE <input type="checkbox"/> WET	
RACE	ROAR Nats	DATE	8-26-17	QUALY POS.	15	STARTING POS.	FINAL POS.	FASTEST LAP
TRACK	The Track	TYPE	<input checked="" type="checkbox"/> INDOOR <input type="checkbox"/> OUTDOOR	STYLE	<input checked="" type="checkbox"/> TIGHT <input type="checkbox"/> MEDIUM <input type="checkbox"/> OPEN	With 180 degree turns		
SURFACE GRIP	<input type="checkbox"/> LOW <input checked="" type="checkbox"/> MEDIUM <input type="checkbox"/> HIGH	CONDITION	<input checked="" type="checkbox"/> SMOOTH <input type="checkbox"/> ROUGH					
TYPE	<input checked="" type="checkbox"/> HARD PACKED <input checked="" type="checkbox"/> CLAY <input type="checkbox"/> CARPET <input type="checkbox"/> MULTI/SURFACE <input type="checkbox"/> GRASS <input type="checkbox"/> BLUE GROOVE <input type="checkbox"/> DIRT <input type="checkbox"/> ASTRO-TURF							

FRONT SHOCK ABSORBERS		REAR
600 cst	OIL	375 cst
Serpent Purple/AE Green SPRINGS		Serpent Blue astro/AE Green
4 mm	REBOUND	4 mm
2	mm LIMITERS	4.25 mm
N° HOLES 3	Ø 1.4 mm PISTONS	N° HOLES 2 Ø 1.7 mm
PISTONS TYPE <input type="checkbox"/> STOCK <input type="checkbox"/> CONICAL <input checked="" type="checkbox"/> SQUARE		
<input type="checkbox"/> SHORT <input checked="" type="checkbox"/> LONG		SPRING BUCKETS <input checked="" type="checkbox"/> SHORT <input type="checkbox"/> LONG
<input type="checkbox"/> BLADDER	SEAL	<input type="checkbox"/> BLADDER
<input checked="" type="checkbox"/> EMULSION	TYPE	<input checked="" type="checkbox"/> EMULSION

FRONT ANTI-ROLL BARS		REAR
<input type="checkbox"/>	<input type="checkbox"/>	<input type="checkbox"/>
0.9	1	1.1
OTHER mm		OTHER mm
1.1		1.3
1.5		

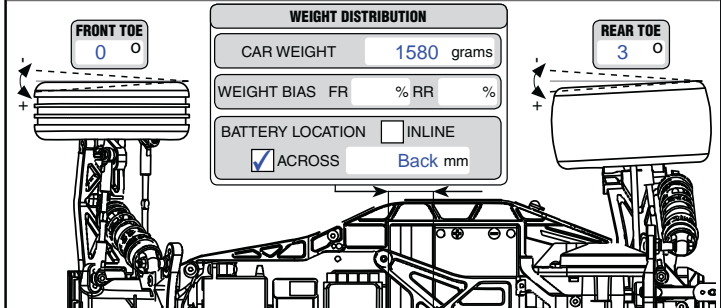
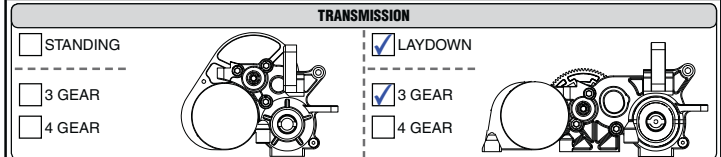
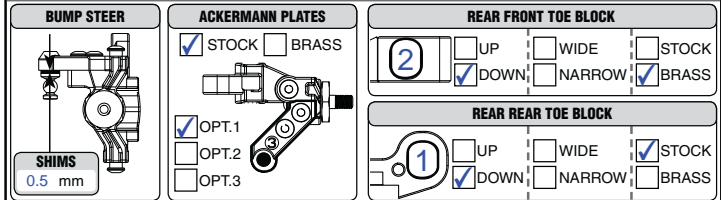
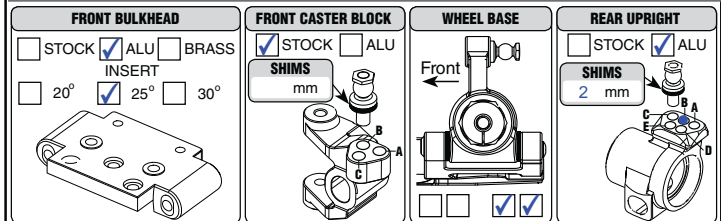
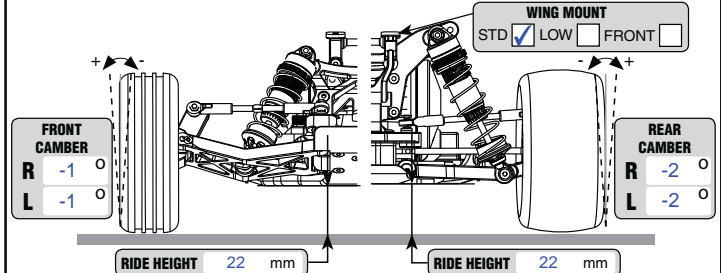
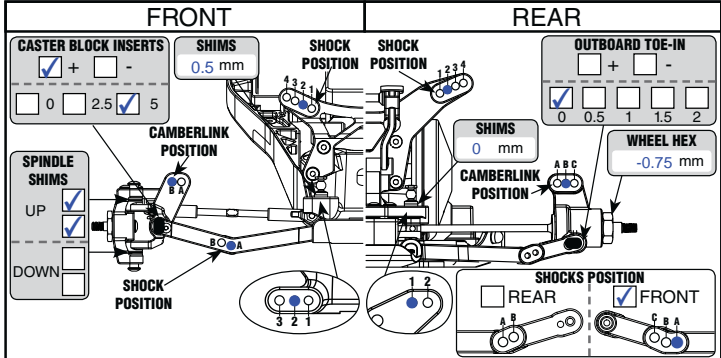
REAR DIFFERENTIAL	
<input checked="" type="checkbox"/> BALL DIFFERENTIAL	DIFFERENTIAL HEIGHT
<input type="checkbox"/> GEAR DIFF	<input type="checkbox"/> HIGH <input type="checkbox"/> MED <input checked="" type="checkbox"/> LOW <input type="checkbox"/> FIXED

GEARING	
PINION	21 Teeth
SPUR GEAR	80 Teeth

ELECTRONICS	
BATTERY	
BRAND	Shorty
CAPACITY	3900 mAh
MOTOR	
BRAND	Reedy
TYPE	7.5
TIMING	20
ESC	
BRAND	Reedy
TYPE	410R

AERODYNAMIC CONFIGURATION	
BODY BRAND	Serpent
TYPE	Kit
REAR WING BRAND	JC
TYPE	Aero
REAR WING WIDTH	6.5
REAR WING LIP	10 mm
REAR WING ANGLE	<input type="checkbox"/> 0° <input type="checkbox"/> 2° <input checked="" type="checkbox"/> 4° <input type="checkbox"/> 6° <input type="checkbox"/> 8°
FRONT WING	<input type="checkbox"/> YES <input checked="" type="checkbox"/> NO
TYPE	

FRONT TIRES		REAR
Proline	MAKE	Proline
Prime	TYPE	Prime
M4	COMPOUND	M4
Proline	INSERTS	Proline
Serpent	WHEELS	Serpent
Liquid Wrench Blue can	ADDITIVE	Liquid Wrench Blue Can



REMARKS	Front and rear arms are hard material. Ran long rear arm Ran Low profile Shorty battery	Green Shock O rings Delrin shock pistons No Waterfall No Battery strap-Battery is servo taped in
---------	-----------------------------------------------------------------------------------------------	-----------------------------------------------------------------------------------------------------------