

## DRIVER, TRACK AND RESULTS

<b>DRIVER</b>	Billy Easton	<b>COUNTRY</b>	USA	<b>WEATHER</b>	AIR TEMP 85	<b>TRACK TEMP</b>	<input type="checkbox"/> DRY <input type="checkbox"/> INTERMEDIATE <input type="checkbox"/> WET			
<b>RACE</b>	Beachline Raceway	<b>DATE</b>	8-26-17	<b>QUALY POS.</b>	1	<b>STARTING POS.</b>	1	<b>FINAL POS.</b>	1	<b>FASTEST LAP</b>
<b>TRACK</b>	Astro Turf	<b>TYPE</b>	<input checked="" type="checkbox"/> INDOOR <input type="checkbox"/> OUTDOOR	<b>STYLE</b>	<input type="checkbox"/> TIGHT <input checked="" type="checkbox"/> MEDIUM <input type="checkbox"/> OPEN	With 180 degree turns				
<b>SURFACE GRIP</b>	<input type="checkbox"/> LOW <input type="checkbox"/> MEDIUM <input type="checkbox"/> HIGH <input checked="" type="checkbox"/>	<b>CONDITION</b>	<input type="checkbox"/> SMOOTH <input type="checkbox"/> ROUGH <input checked="" type="checkbox"/>	Some areas of track with bumps						
<b>TYPE</b>	<input type="checkbox"/> HARD PACKED <input type="checkbox"/> CLAY <input type="checkbox"/> CARPET <input type="checkbox"/> MULTI/SURFACE <input type="checkbox"/> GRASS <input type="checkbox"/> BLUE GROOVE <input type="checkbox"/> DIRT <input checked="" type="checkbox"/> ASTRO-TURF <input type="checkbox"/>									

FRONT SHOCK ABSORBERS		REAR
500 cst	OIL	375 cst
Serpent Green/AE Gray SPRINGS		Serpent Green Astro/AE Gray
4 mm	REBOUND	4 mm
4.25	mm LIMITERS	4.25 mm
N° HOLES 2	Ø 1.6 mm	PISTONS N° HOLES 2 Ø 1.7 mm
PISTONS TYPE <input type="checkbox"/> STOCK <input type="checkbox"/> CONICAL <input checked="" type="checkbox"/> SQUARE		
<input type="checkbox"/> SHORT <input checked="" type="checkbox"/> LONG		SPRING BUCKETS <input checked="" type="checkbox"/> SHORT <input type="checkbox"/> LONG
<input type="checkbox"/> BLADDER	SEAL	<input type="checkbox"/> BLADDER
<input checked="" type="checkbox"/> EMULSION	TYPE	<input checked="" type="checkbox"/> EMULSION

FRONT ANTI-ROLL BARS		REAR
<input checked="" type="checkbox"/>	<input type="checkbox"/>	<input checked="" type="checkbox"/>
0.9	1	1.1
OTHER mm		OTHER mm
	1.1	1.3
	1.5	

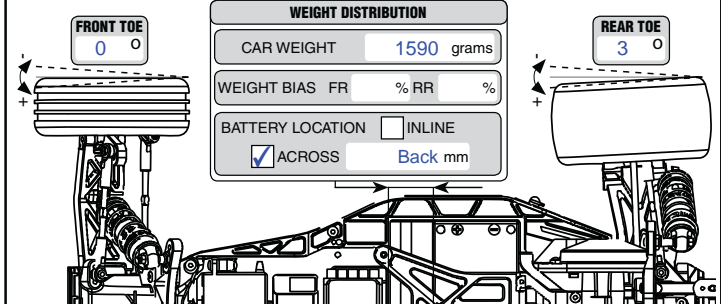
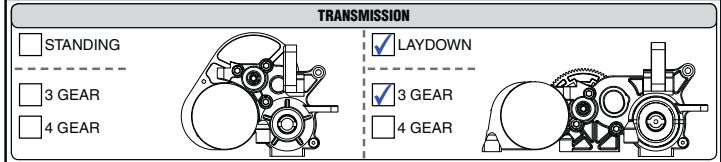
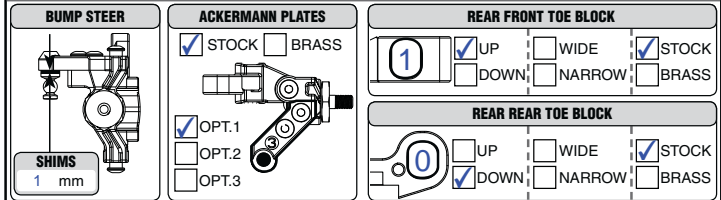
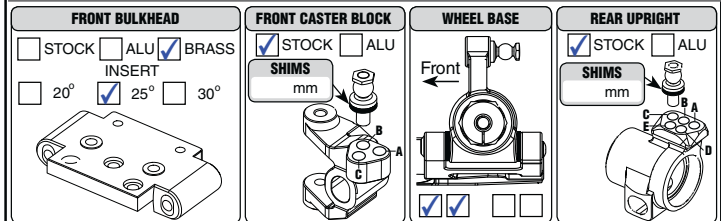
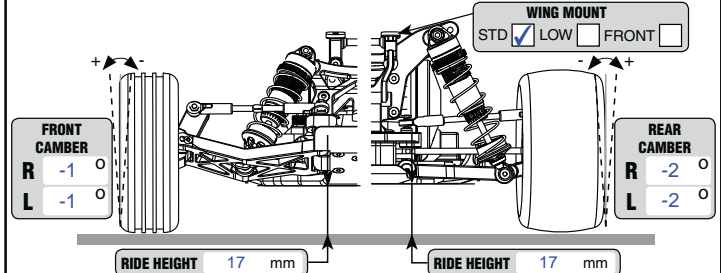
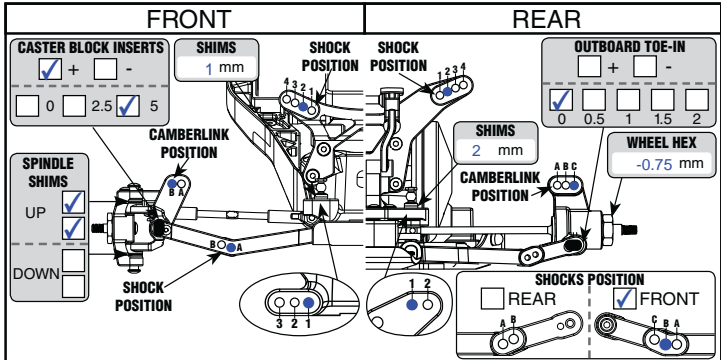
REAR DIFFERENTIAL	
<input type="checkbox"/> BALL DIFFERENTIAL	DIFFERENTIAL HEIGHT
<input checked="" type="checkbox"/> GEAR DIFF 7000 cst	<input checked="" type="checkbox"/> HIGH <input type="checkbox"/> MED <input type="checkbox"/> LOW <input type="checkbox"/> FIXED

GEARING	
PINION	22 Teeth
SPUR GEAR	84 Teeth

ELECTRONICS	
BATTERY	
BRAND	Shorty
CAPACITY	5000 mAh
MOTOR	
BRAND	Reedy
TYPE	6.5
TIMING	20
ESC	
BRAND	Reedy
TYPE	410R

AERODYNAMIC CONFIGURATION	
BODY BRAND	Serpent
TYPE	Kit
REAR WING BRAND	JC
TYPE	Aero
REAR WING WIDTH	6.5
REAR WING LIP	10 mm
REAR WING ANGLE	<input type="checkbox"/> 0° <input checked="" type="checkbox"/> 2° <input type="checkbox"/> 4° <input type="checkbox"/> 6° <input type="checkbox"/> 8°
FRONT WING	<input checked="" type="checkbox"/> YES <input type="checkbox"/> NO
TYPE	JC Aero mount on tower

FRONT TIRES		Controlled Tire	REAR
Schumacher	MAKE		Schumacher
Low Profile Stagger	TYPE		Mini Dart
Yellow	COMPOUND		Yellow
None	INSERTS		Schumacher std. Rear
STD (cut inside)	WHEELS		STD
no	ADDITIVE		no



<b>REMARKS</b>	Front and rear arms are hard material. Ran long rear arm Used Carbon fibre chassis Full size shorty battery Full size servo	Be sure to adjust slipper to proper tension. No Wheelies Green Shock O rings Aluminum steering Delrin shock pistons
----------------	---	--