

SET UP



NAME 733	RACE	DATE
-----------------	-------------	-------------

1 ST	SPUR	2ND
<input type="checkbox"/> 61	<input type="checkbox"/> 60 <input type="checkbox"/> 59 <input type="checkbox"/> 54	<input type="checkbox"/> 55 <input type="checkbox"/> 56

1 ST	PINION	2ND
<input type="checkbox"/> 16	<input type="checkbox"/> 17 <input type="checkbox"/> 18 <input type="checkbox"/> 21	<input type="checkbox"/> 22 <input type="checkbox"/> 23

FRONT	REAR
DRIVETRAIN	DRIVETRAIN
GEAR DIFF	GEAR DIFF
<input type="checkbox"/> CST	<input type="checkbox"/> CST
<input type="checkbox"/> ONE WAY	<input type="checkbox"/> ONE WAY
<input type="checkbox"/> SPOOL	<input type="checkbox"/> SOLID

FRONT	REAR
SHOCK ABSORBERS	SHOCK ABSORBERS
OIL/CST	OIL/CST
SPRING	SPRING

ANTI-ROLL BARS					
FRONT			REAR		
<input type="checkbox"/> 1.8	<input type="checkbox"/> 2.2	<input type="checkbox"/> 2.5	<input type="checkbox"/> 2.3	<input type="checkbox"/> 2.5	<input type="checkbox"/> 2.8

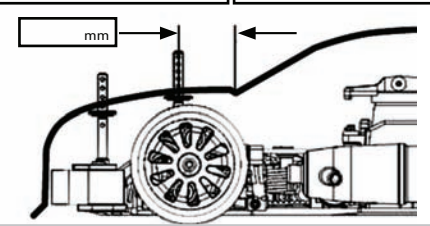
FRONT			REAR		
LEFT	RIGHT	TYRES	LEFT	RIGHT	TYRES
o	o	MAKE	o	o	MAKE
mm	mm	SHORE	mm	mm	SHORE
mm	mm	DIAMETER	mm	mm	DIAMETER
mm	mm	5-MIN WEAR	mm	mm	5-MIN WEAR

ENGINE			
TYPE	HEADSHIMS	mm	
GLOWPLUG	CARB DIA'	mm	

EXHAUST			
FIXED HEADER	<input type="checkbox"/> LONG	<input type="checkbox"/> MED	<input type="checkbox"/> SHORT
CONICAL	<input type="checkbox"/> YES	<input type="checkbox"/> NO	

FUEL	NITRO	%
-------------	-------	---

BODY	
BODY-TYPE	WING
POSITION	mm



REMARKS

