

DRIVER, TRACK AND RESULTS

DRIVER **Marius Kristensen** COUNTRY **Norway** WEATHER AIR TEMP TRACK TEMP DRY INTERMEDIATE WET

RACE DATE QUALY POS. STARTING POS. FINAL POS. FASTEST LAP

TRACK TYPE INDOOR OUTDOOR STYLE TIGHT MEDIUM OPEN

SURFACE GRIP LOW MEDIUM HIGH CONDITION SMOOTH ROUGH

TYPE HARD PACKED CLAY CARPET MULTI/SURFACE GRASS BLUE GROOVE DIRT ASTRO-TURF

FRONT SHOCK ABSORBERS		REAR	
40 Losi cst	OIL	40 Losi cst	
3 dot	SPRINGS	2 dot	
0 mm	REBOUND	0 mm	
2.5 mm	LIMITERS	0.5 mm	
N° HOLES 2 Ø 1.6 mm	PISTONS N° HOLES 2 Ø 1.7 mm		
PISTONS TYPE <input type="checkbox"/> STOCK <input type="checkbox"/> CONICAL <input type="checkbox"/> SQUARE			
<input type="checkbox"/> SHORT <input checked="" type="checkbox"/> LONG	SPRING BUCKETS <input type="checkbox"/> SHORT <input checked="" type="checkbox"/> LONG		
<input type="checkbox"/> BLADDER SEAL <input type="checkbox"/> BLADDER	TYPE <input checked="" type="checkbox"/> EMULSION		

FRONT ANTI-ROLL BARS		REAR	
<input type="checkbox"/>	<input checked="" type="checkbox"/>	<input type="checkbox"/>	<input checked="" type="checkbox"/>
1.0	1.8	1.0	1.8

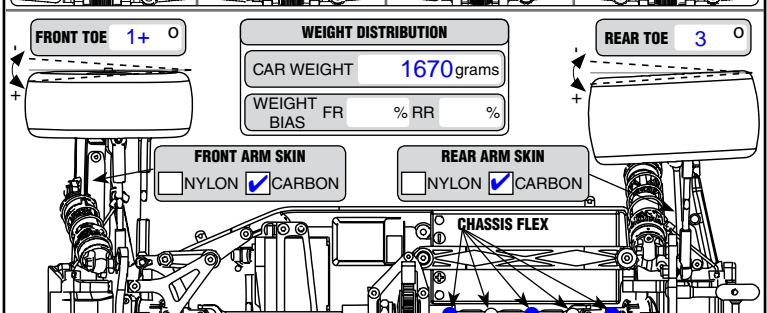
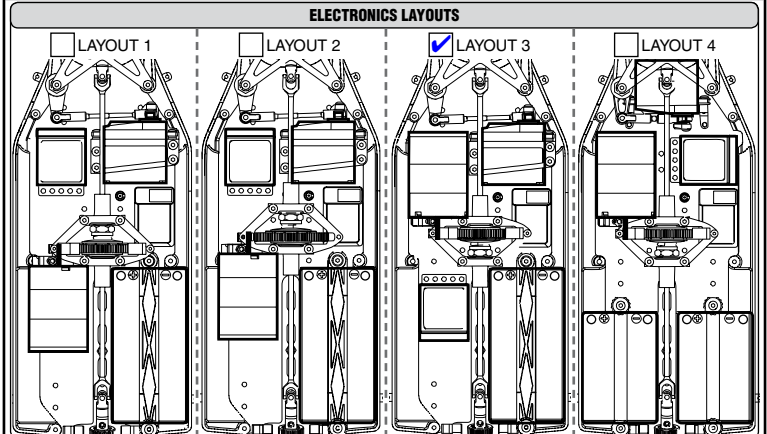
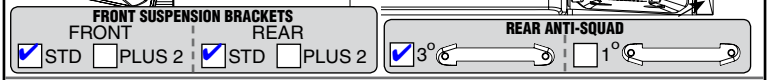
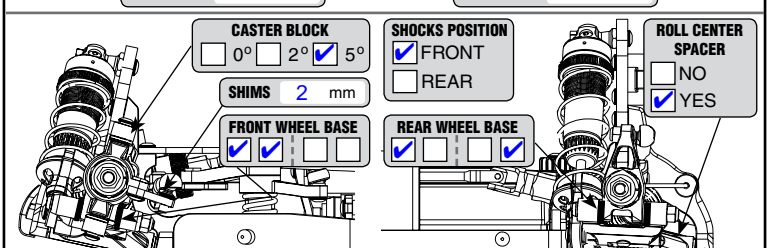
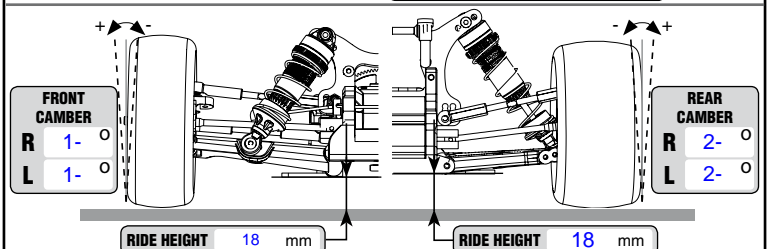
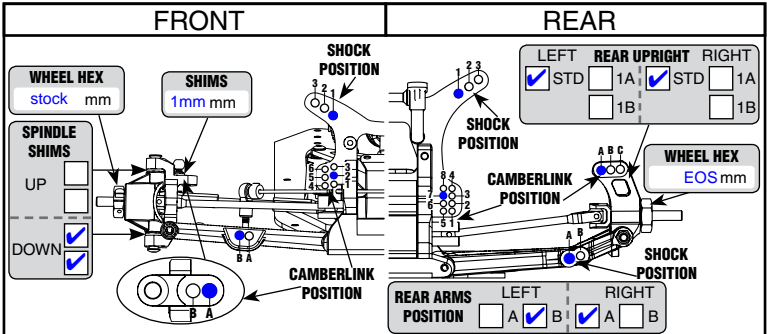
TRANSMISSION	
FRONT DIFF 20 K cst	REAR DIFF 15k cst
<input checked="" type="checkbox"/> SLIPPER	<input type="checkbox"/> CENTER DIFF

GEARING	
PINION 19 Teeth	SPUR GEAR 86 Teeth

ELECTRONICS	
BATTERY	
BRAND Lowprofile yokomo	CAPACITY 3900mAh
MOTOR	
BRAND hobbywing	TYPE 4.5 TIMING 30
ESC	
BRAND Orion	TYPE r10.1

AERODYNAMIC CONFIGURATION	
BODY BRAND serpent	TYPE Lightweihtg
REAR WING BRAND	TYPE
REAR WING WIDTH	REAR WING LIP mm
FRONT WING <input checked="" type="checkbox"/> YES <input type="checkbox"/> NO	TYPE serpent

FRONT TIRES		REAR	
Schmacher	MAKE	schmacher	
2wd spikes	TYPE	mini spike 2	
yellow	COMPOUND	yellow	
closed cell	INSERTS	Blue	
	WHEELS		
	ADDITIVE		



REMARKS weight under battery. titanium links Titanium screws top and steel bottom. 2 mm shims on rear hex. motor on uppsite site. glued servo saver. carbon shorty strap.