

RACE _____
 TRACK _____
 NAME _____
 CITY/COUNTRY _____
 DATE _____

TEMPERATURE AIR 0 TRACK 0

QUALIFYING POSITION BEST LAP TIME FINAL POSITION RACE LENGTH

TRACK CONDITION CARPET ASPHALT
 TECHNICAL MIXED FAST

TRACTION LOW MEDIUM HIGH

FRONT

TRANSMISSION

GEAR DIFF CST

PINION T SPUR GEAR T

FINAL DRIVE RATIO ROLLOUT mm

MOTOR TIMING

ROTOR ARMATURE

ESC BATTERIES

BRUSHLESS PROGRAM PUNCH INITIAL BRAKE AUTO BRAKE

BODY WING

SHOCK ABSORBERS FRONT REAR

OIL CST OPEN CLOSED CST

SPRING

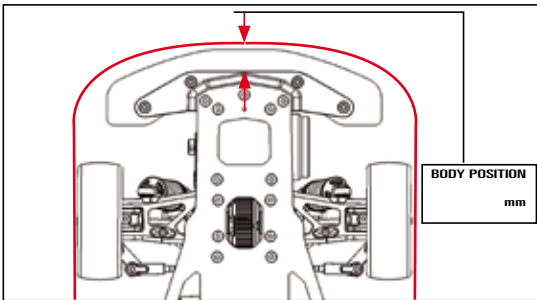
ANTI-ROLL BAR THICKNESS mm

TIRES

DIAMETER mm

INSERTS

ADDITIVE



REMARKS

