

RACE _____
 TRACK _____
 NAME _____
 CITY/COUNTRY _____
 DATE _____

TEMPERATURE	AIR	0	TRACK	0
QUALIFYING POSITION	BEST LAP TIME	SEC	FINAL POSITION	RACE LENGTH
TRACK CONDITION		<input type="checkbox"/> CARPET	<input type="checkbox"/> ASPHALT	MIN
<input type="checkbox"/> TECHNICAL	<input type="checkbox"/> MIXED	<input type="checkbox"/> FAST		
TRACTION		<input type="checkbox"/> LOW	<input type="checkbox"/> MEDIUM	<input type="checkbox"/> HIGH

FRONT		REAR	
TRANSMISSION			
GEAR DIFF			
<input type="checkbox"/>	CST		

PINION	T	SPUR GEAR	T
--------	---	-----------	---

FINAL DRIVE RATIO	ROLLOUT	mm
-------------------	---------	----

MOTOR	TIMING
-------	--------

ROTOR	ARMATURE
-------	----------

ESC	BATTERIES
-----	-----------

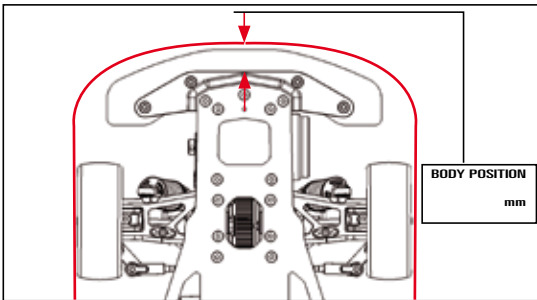
BRUSHLESS	PROGRAM	PUNCH	INITIAL BRAKE	AUTO BRAKE
-----------	---------	-------	---------------	------------

BODY	WING
------	------

FRONT		SHOCK ABSORBERS		REAR	
OIL	CST	<input type="radio"/> OPEN	<input type="radio"/> CLOSED	OIL	CST
SPRING				SPRING	

THICKNESS	mm	ANTI-ROLL BAR	THICKNESS	mm
-----------	----	---------------	-----------	----

TIRES	
DIAMETER	mm
INSERTS	
ADDITIVE	



REMARKS _____

