

RACE \_\_\_\_\_  
 TRACK \_\_\_\_\_  
 NAME \_\_\_\_\_  
 CITY/COUNTRY \_\_\_\_\_  
 DATE \_\_\_\_\_

TEMPERATURE	AIR	0	TRACK	0
QUALIFYING POSITION	BEST LAP TIME	SEC	FINAL POSITION	RACE LENGTH
TRACK CONDITION		<input type="checkbox"/> CARPET	<input type="checkbox"/> ASPHALT	MIN
<input type="checkbox"/> TECHNICAL	<input type="checkbox"/> MIXED	<input type="checkbox"/> FAST		
TRACTION	<input type="checkbox"/> LOW	<input type="checkbox"/> MEDIUM	<input type="checkbox"/> HIGH	

**FRONT**

TRANSMISSION

GEAR DIFF

CST

PINION T SPUR GEAR T

FINAL DRIVE RATIO ROLLOUT mm

MOTOR TIMING

ROTOR ARMATURE

ESC BATTERIES

BRUSHLESS PROGRAM PUNCH INITIAL BRAKE AUTO BRAKE

BODY WING

SHOCK ABSORBERS

FRONT OIL REAR OIL

CST  OPEN  CLOSED  CST

SPRING

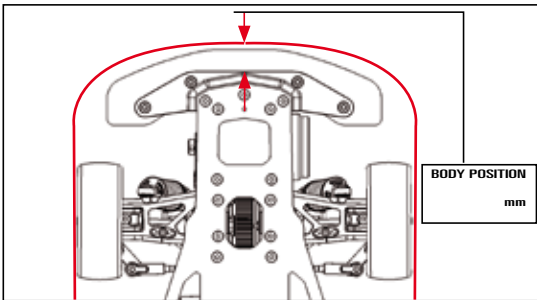
ANTI-ROLL BAR THICKNESS mm

TIRES

DIAMETER mm

INSERTS

ADDITIVE



REMARKS

