

## SET-UP SHEET

DRIVER \_\_\_\_\_  
 RACE \_\_\_\_\_  
 TRACK \_\_\_\_\_  
 NAME \_\_\_\_\_  
 CITY/COUNTRY \_\_\_\_\_  
 DATE \_\_\_\_\_

TEMPERATURE AIR 0 TRACK 0

QUALIFYING POSITION BEST LAP TIME FINAL POSITION RACE LENGTH  
 SEC MIN

TRACK CONDITION  CARPET  ASPHALT  
 TECHNICAL  MIXED  FAST

TRACTION  LOW  MEDIUM  HIGH

FRONT	REAR
TRANSMISSION CST	
GEAR DIFF	GEAR DIFF
<input type="checkbox"/> CST	<input type="checkbox"/>
<input type="checkbox"/> ONE WAY	
<input type="checkbox"/> SPOOL	<input type="checkbox"/> SOLID

FRONT BALL DIFF	REAR BALL DIFF
<input type="checkbox"/> LOOSE <input type="checkbox"/> MEDIUM <input type="checkbox"/> TIGHT	<input type="checkbox"/> LOOSE <input type="checkbox"/> MEDIUM <input type="checkbox"/> TIGHT

PINION T SPUR GEAR T

FINAL DRIVE RATIO ROLLOUT mm

MOTOR TIMING

ROTOR ARMATURE

ESC BATTERIES

BRUSHLESS PROGRAM PUNCH INITIAL BRAKE AUTO BRAKE

BODY WING

SHOCK ABSORBERS

FRONT OIL CST SPRING

REAR OIL CST SPRING

OPEN  CLOSED

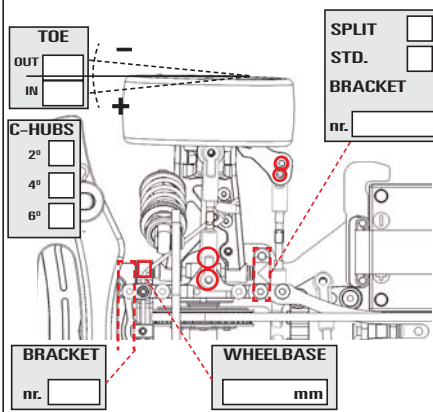
THICKNESS mm ANTI-ROLL BAR THICKNESS mm

TIRES
mm DIAMETER THICKNESS mm
INSERTS
ADDITIVE

WEIGHT: TOTAL 91

REMARKS

FRONT



REAR

