

RACE	WCIC
TRACK	MJ GYMNASTICS
NAME	GARY LANZER
CITY/ COUNTRY	MOOSE JAW, SASK, CANADA
DATE	MAR 9 - 11

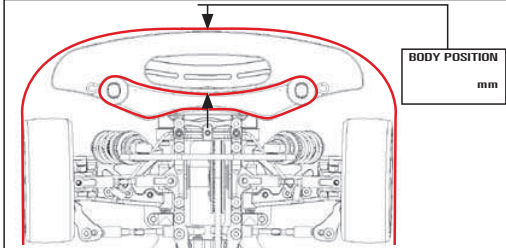
TEMPERATURE	AIR 0	TRACK 0	
QUALIFYING POSITION	BEST LAP TIME	FINAL POSITION	RACE LENGTH
TRACK CONDITION	<input checked="" type="checkbox"/> CARPET	<input type="checkbox"/> ASPHALT	
	<input type="checkbox"/> TECHNICAL	<input type="checkbox"/> MIXED	<input checked="" type="checkbox"/> FAST
TRACTION	<input type="checkbox"/> LOW	<input type="checkbox"/> MEDIUM	<input checked="" type="checkbox"/> HIGH

FRONT		REAR	
TRANSMISSION			
GEAR DIFF		GEAR DIFF	
<input type="checkbox"/> CST	<input checked="" type="checkbox"/> V2 2K 2GEAR	CST	
ONE WAY		SOLID	
<input checked="" type="checkbox"/>	<input type="checkbox"/>	<input type="checkbox"/>	
BALL DIFF		BALL DIFF	
<input type="checkbox"/> LOOSE	<input type="checkbox"/> MEDIUM	<input type="checkbox"/> LOOSE	<input type="checkbox"/> MEDIUM
<input type="checkbox"/> TIGHT	<input type="checkbox"/> TIGHT	<input type="checkbox"/> TIGHT	<input type="checkbox"/> TIGHT
MIDDLE SHAFT		FIXED	
<input type="checkbox"/>		<input checked="" type="checkbox"/>	
PINION 30 T		SPUR GEAR 104 T	
FINAL DRIVE RATIO		ROLLOUT	
MOTOR BALLISTIC 8.5		TIMING 30/22 IN SC	
ROTOR 12.3		ARMATURE	
ESC NOVAK IMPACT		BATTERIES REVTECH 6000/60C	
BRUSHLESS	PROGRAM	PUNCH	AUTO BRAKE

BODY MAZDA SPEED6 RW	WING STOCK 10MM	
FRONT OIL 500 CST	SHOCK ABSORBERS Brand	REAR OIL 450 CST
SPRING GREY	<input type="checkbox"/> OPEN <input checked="" type="checkbox"/> CLOSED	SPRING WHITE

THICKNESS 1.4 mm	ANTI-ROLL BAR	THICKNESS 1.4 mm
------------------	---------------	------------------

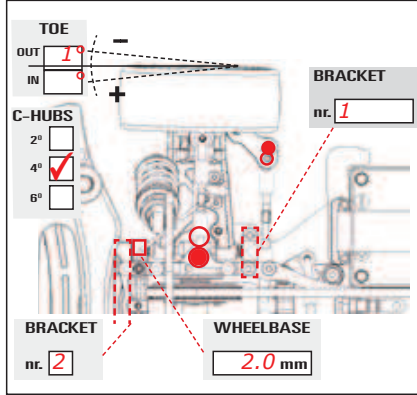
JACO BLUE	TIRES	JACO BLUE
64 mm	DIAMETER	64 mm
SXT 3.0/TWEAK FULL	INSERTS	SXT 3.0/TWEAK FULL
	ADDITIVE	



REMARKS Editable by Arn0 at PetitRC.com

- TOP DECK SUPER FLEX
- NO DJC
- LOWERED STEERING RACK 1MM
- V2 GEAR DIFF STEEL GEARS
- RCM SHOCKS 1 O-RING
- IDLER BLOCKS LOWERED 1MM
- HOME MADE SPLIT BLOCK
- SUSPENSION CAR/TE PLATFORM

FRONT



REAR

