

RACE	WCIC
TRACK	MJ GYMNASTICS
NAME	GARY LANZER
CITY/ COUNTRY	MOOSE JAW, SASK, CANADA
DATE	MAR 9 - 11

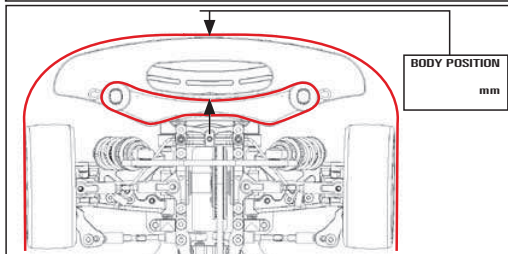
TEMPERATURE	AIR 0	TRACK 0	
QUALIFYING POSITION	BEST LAP TIME	FINAL POSITION	RACE LENGTH
TRACK CONDITION		MIN	
<input type="checkbox"/> TECHNICAL	<input checked="" type="checkbox"/> CARPET	<input type="checkbox"/> ASPHALT	
<input type="checkbox"/> LOW	<input type="checkbox"/> MIXED	<input checked="" type="checkbox"/> FAST	
TRACTION		<input checked="" type="checkbox"/> HIGH	

FRONT		REAR	
TRANSMISSION			
GEAR DIFF		GEAR DIFF	
<input type="checkbox"/> CST	<input checked="" type="checkbox"/> V2 2K 2GEAR	CST	
ONE WAY		SOLID	
<input checked="" type="checkbox"/>	<input type="checkbox"/>	<input type="checkbox"/>	
BALL DIFF		BALL DIFF	
<input type="checkbox"/> LOOSE	<input type="checkbox"/> MEDIUM	<input type="checkbox"/> LOOSE	<input type="checkbox"/> MEDIUM
<input type="checkbox"/> TIGHT	<input type="checkbox"/> TIGHT	<input type="checkbox"/> TIGHT	<input type="checkbox"/> TIGHT
MIDDLE SHAFT		FIXED	
<input type="checkbox"/>		<input checked="" type="checkbox"/>	
PINION 42 T		SPUR GEAR 90 T	
FINAL DRIVE RATIO		ROLLOUT mm	
MOTOR VIPER 21.5		TIMING FULL	
ROTOR		ARMATURE	
ESC KO VFS 1.5		BATTERIES REVTECH 6000/60C	
BRUSHLESS	PROGRAM	PUNCH	AUTO BRAKE

BODY HPI DODGE CHALLENGER	WING	
FRONT OIL 450 CST	SHOCK ABSORBERS Brand	REAR OIL 400 CST
SPRING GREY	<input type="radio"/> OPEN <input type="radio"/> CLOSED	SPRING GREY

THICKNESS 1.4 mm	ANTI-ROLL BAR	THICKNESS 1.4 mm
------------------	---------------	------------------

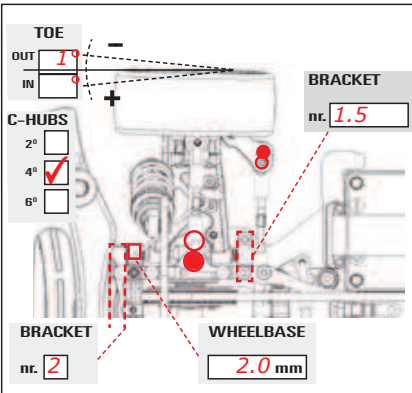
HPI VTA SPEC	TIRES	HPI VTA SPEC
mm	DIAMETER	mm
STOCK	INSERTS	STOCK
SXT 3.0/TWEAK FULL	ADDITIVE	SXT 3.0/TWEAK FULL



REMARKS Editable by Arn0 at PetitRC.com

-TOP DECK SUPER FLEX 2.0
 -NO DJC
 -LOWERED STEERING RACK 1MM
 -V2 GEAR DIFF STEEL GEARS
 -RCM SHOCKS 1 O-RING

FRONT



REAR

