

DRIVER, TRACK AND RESULTS

DRIVER Carlos Durães	COUNTRY Portugal	WEATHER AIR TEMP 21 TRACK TEMP <input checked="" type="checkbox"/> DRY <input type="checkbox"/> INTERMEDIATE <input type="checkbox"/> WET
RACE PT Nats Round 2	DATE	QUALY POS. 2º STARTING POS. 2º FINAL POS. 2º FASTEST LAP 27.3
TRACK Vilela	TYPE <input type="checkbox"/> TIGHT <input checked="" type="checkbox"/> MEDIUM <input type="checkbox"/> OPEN	GRIP <input type="checkbox"/> LOW <input checked="" type="checkbox"/> MEDIUM <input type="checkbox"/> HIGH
SURFACE CONDITION <input type="checkbox"/> SMOOTH <input checked="" type="checkbox"/> ROUGH		
TYPE <input checked="" type="checkbox"/> HARD PACKED <input type="checkbox"/> CLAY <input type="checkbox"/> MULTI/SURFACE <input type="checkbox"/> GRASS <input type="checkbox"/> BLUE GROOVE <input type="checkbox"/> DIRT <input type="checkbox"/> ASTRO-TURF		

FRONT SHOCK ABSORBERS		REAR
50 WT cst	OIL	37.5 WT cst
Green V3	SPRINGS	RED V3
70% mm	REBOUND	50% mm
Nº HOLES 8	Ø 1.3 mm	PISTONS Nº HOLES 8 Ø 1.3 mm
<input checked="" type="checkbox"/> BLADDER	SEAL TYPE	<input checked="" type="checkbox"/> BLADDER
<input type="checkbox"/> EMULSION		<input type="checkbox"/> EMULSION

FRONT ANTI-ROLL BARS		REAR
<input type="checkbox"/> 1.8	<input checked="" type="checkbox"/> 2.3	<input checked="" type="checkbox"/> 2.3
<input type="checkbox"/> 2.0	<input type="checkbox"/> 2.5	<input type="checkbox"/> 2.5
<input type="checkbox"/> 2.7	<input type="checkbox"/> 3.0	<input type="checkbox"/> 3.0

DIFFERENTIAL OIL		
FRONT DIFF 15K cst	CENTER DIFF 15K cst	REAR DIFF 7K cst

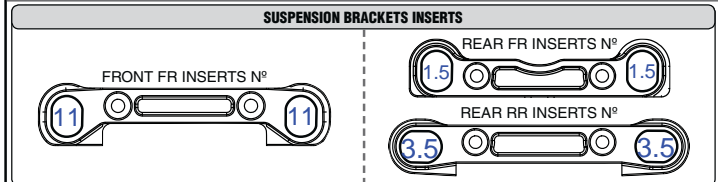
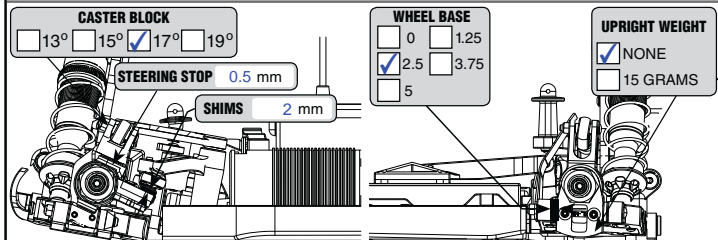
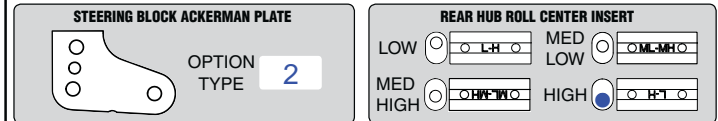
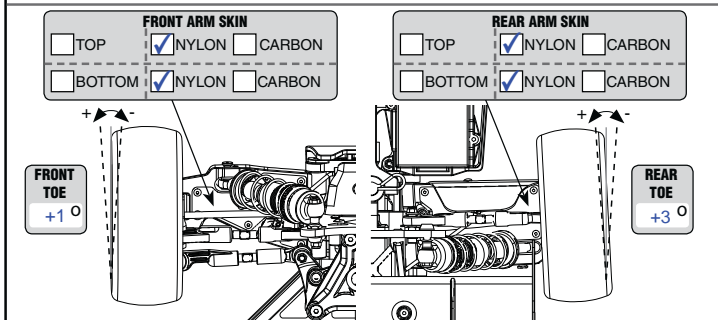
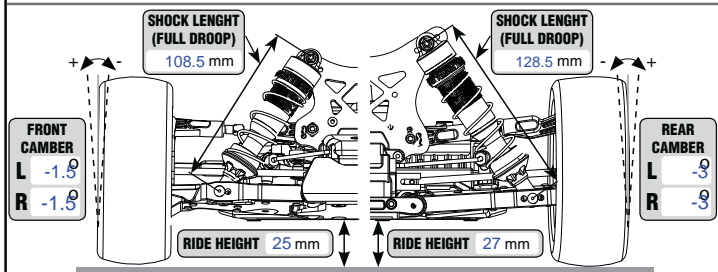
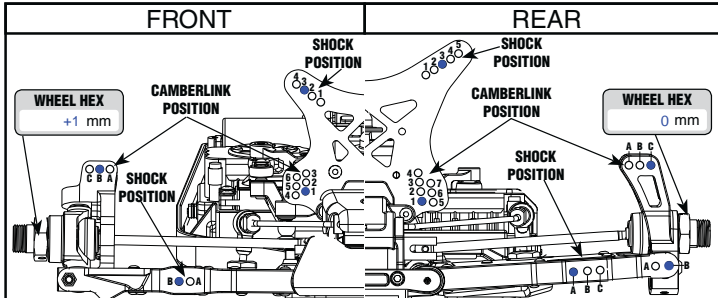
GEARING	
PINION 14 Teeth	SPUR GEAR 46 Teeth

ELECTRONICS	
BATTERY	
BRAND Corally	CAPACITY mAh
MOTOR	
BRAND Hobbywing	TYPE TIMING
ESC	
BRAND Hobbywing	TYPE

ELECTRONICS LAYOUTS	
<input checked="" type="checkbox"/> LAYOUT 1	<input type="checkbox"/> LAYOUT 2
<input type="checkbox"/> 2S STICK BATTERIES	<input type="checkbox"/> 4S BRICK BATTERY
<input type="checkbox"/> 2S SHORTY REARWARD BATTERIES	<input type="checkbox"/> 2S STICK BATTERIES
<input type="checkbox"/> 2S SHORTY FORWARD BATTERIES	<input type="checkbox"/> 2S SHORTY REARWARD BATTERIES
	<input type="checkbox"/> 2S SHORTY FORWARD BATTERIES

AERODYNAMIC CONFIGURATION	
BODY <input type="checkbox"/> STANDARD <input checked="" type="checkbox"/> HIGH DOWNFORCE <input type="checkbox"/> OTHER	600942
WING	
TYPE 600825	WING PLATES <input type="checkbox"/> 2º <input checked="" type="checkbox"/> 4º <input type="checkbox"/> 6º
GURNEY STRIP <input type="checkbox"/> YES <input checked="" type="checkbox"/> NO	CENTER FOIL <input type="checkbox"/> YES <input checked="" type="checkbox"/> NO

FRONT TIRES	Controlled Tire	REAR
AKA	MAKE	AKA
IMPACT ULTRA SOFT	TYPE	IMPACT ULTRA SOFT
RED	INSERTS	RED
AKA	WHEELS	AKA



REMARKS