

DRIVER, TRACK AND RESULTS

DRIVER Vaclav Broz **COUNTRY** CZ **WEATHER** AIR TEMP 18 TRACK TEMP 17 DRY INTERMEDIATE WET
RACE NEOS rd.4 **DATE** 19. 8. 2017 **QUALY POS.** 1 **STARTING POS.** 1 **FINAL POS.** 1 **FASTEST LAP** 33.14
TRACK Zidlochovice **TYPE** TIGHT MEDIUM OPEN **GRIP** LOW MEDIUM HIGH
SURFACE CONDITION SMOOTH ROUGH
TYPE HARD PACKED CLAY MULTI/SURFACE GRASS BLUE GROOVE DIRT ASTRO-TURF

FRONT SHOCK ABSORBERS		REAR
<u>40</u> cst	OIL	<u>30</u> cst
<u>purple</u>	SPRINGS	<u>pink</u>
<u>0</u> mm	REBOUND	<u>0</u> mm
N° HOLES <u>6</u> Ø <u>1.3</u> mm	PISTONS	N° HOLES <u>6</u> Ø <u>1.4</u> mm
<input checked="" type="checkbox"/> BLADDER	SEAL TYPE	<input checked="" type="checkbox"/> BLADDER
<input type="checkbox"/> EMULSION		<input type="checkbox"/> EMULSION

FRONT ANTI-ROLL BARS		REAR
<input type="checkbox"/>	<input type="checkbox"/>	<input checked="" type="checkbox"/>
<u>1.8</u>	<u>2.0</u>	<u>2.3</u>
<u>2.3</u>	<u>2.5</u>	<u>2.7</u>
<u>2.7</u>	<u>3.0</u>	<u>1.8</u>
<u>2.0</u>	<u>2.3</u>	<u>2.5</u>
<u>2.5</u>	<u>2.7</u>	<u>3.0</u>

DIFFERENTIAL OIL		
FRONT DIFF	CENTER DIFF	REAR DIFF
<u>7k</u> cst	<u>7k</u> cst	<u>5k</u> cst

GEARING	
PINION	SPUR GEAR
<u>15</u> Teeth	<u>44</u> Teeth

ELECTRONICS	
BATTERY	
BRAND <u>KS-racing</u>	CAPACITY _____ mAh

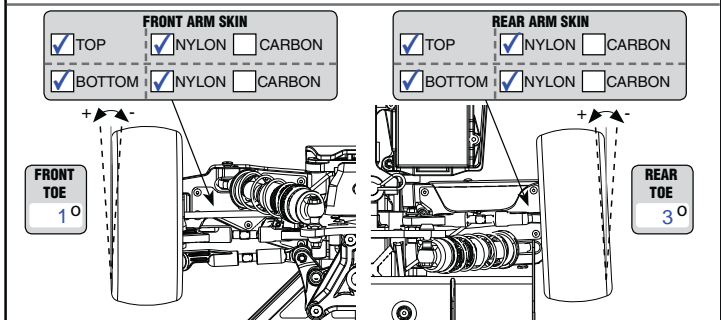
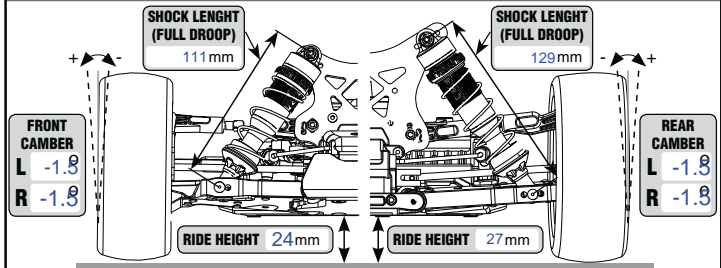
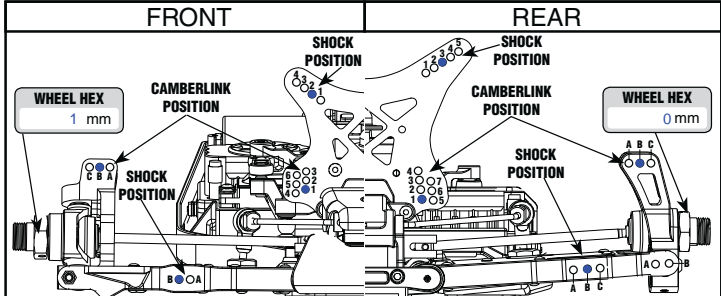
MOTOR	
BRAND <u>Hobbywing</u>	TYPE <u>4268 SD</u> TIMING <u>1900 Kv</u>

ESC	
BRAND <u>Hobbywing</u>	TYPE <u>Xerun XR8 SCT</u>

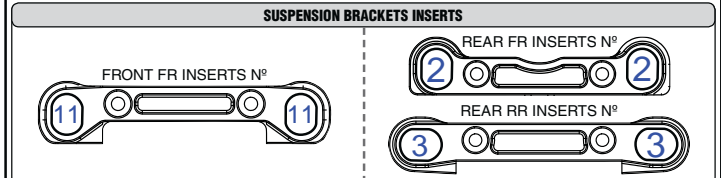
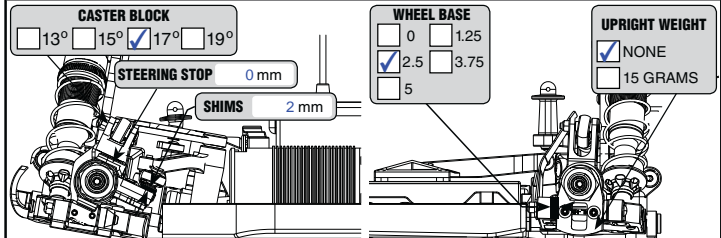
ELECTRONICS LAYOUTS	
<input type="checkbox"/> LAYOUT 1	<input checked="" type="checkbox"/> LAYOUT 2
<input type="checkbox"/> 2S STICK BATTERIES	<input type="checkbox"/> 4S BRICK BATTERY
<input type="checkbox"/> 2S SHORTY REARWARD BATTERIES	<input type="checkbox"/> 2S STICK BATTERIES
<input type="checkbox"/> 2S SHORTY FORWARD BATTERIES	<input checked="" type="checkbox"/> 2S SHORTY REARWARD BATTERIES
	<input type="checkbox"/> 2S SHORTY FORWARD BATTERIES

AERODYNAMIC CONFIGURATION	
BODY <input checked="" type="checkbox"/> STANDARD <input type="checkbox"/> HIGH DOWNFORCE <input type="checkbox"/> OTHER	
WING	
TYPE <u>standard</u>	WING PLATES <input type="checkbox"/> 2° <input checked="" type="checkbox"/> 4° <input type="checkbox"/> 6°
GURNEY STRIP <input checked="" type="checkbox"/> YES <input type="checkbox"/> NO	CENTER FOIL <input type="checkbox"/> YES <input checked="" type="checkbox"/> NO

FRONT TIRES		Controlled Tire	REAR
<u>Proline</u>	MAKE	<input type="checkbox"/>	<u>Proline</u>
<u>Diamondback X3</u>	TYPE	<input type="checkbox"/>	<u>Diamondback X3</u>
<u>standard</u>	INSERTS	<input type="checkbox"/>	<u>standard</u>
<u>Velocity V2</u>	WHEELS	<input type="checkbox"/>	<u>Velocity V2</u>



STEERING BLOCK ACKERMAN PLATE	REAR HUB ROLL CENTER INSERT
OPTION TYPE <u>2</u>	LOW <input type="checkbox"/> MED <input type="checkbox"/> HIGH <input type="checkbox"/>



REMARKS