



RACE Winter challenge DATE 20.02.2016 TRACK Bergen raceway  
 DRIVER Marius Kristensen TRACK TEMP 15 AIR TEMP 20

INDOOR  TIGHT  MEDIUM  LOW BITE  HIGH BITE  
 OUTDOOR  OPEN   MED BITE

TRACK DESCRIPTION  
 SMOOTH  HARD PACKED  GRASS  ASTRO-TURF  CLAY  
 ROUGH  BLUE GROOVE  CARPET  MULTI/SURFACE

**FRONT DIFFERENTIALS REAR**

BALL DIFFERENTIAL  BALL DIFFERENTIAL  
 GEAR DIFF 20000 cst  GEAR DIFF 15000 cst  
 ONE WAY  
 DIFFERENTIAL HEIGHT DIFFERENTIAL HEIGHT  
 HIGH  MED  LOW  HIGH  MED  LOW

**GEAR RATIO**

SPUR GEAR	TEETH	<u>84</u>
PINION	TEETH	<u>18</u>
FINAL DRIVE RATIO		<u>.</u>

**ELECTRONICS**

**BATTERY**  
 BRAND Gens ace CAPACITY 4200

**MOTOR**  
 BRAND Reedy TYPE 6.0 TIMING 5

**ESC**  
 BRAND Reedy TYPE Blackbox

**SHOCK ABSORBERS**

	FRONT	REAR
OIL	<u>50</u> cst	<u>42,5</u> cst
SPRING	<u>4.20</u> ass	<u>purple astro</u>
LIMITERS (2)	<u>1</u> mm	<u>3</u> mm
LENGTH (3)	mm	mm
REBOUND (4)	<u>0</u> mm	<u>0</u> mm
BLADDER / SEAL (5)	<input type="checkbox"/> BLADDER <input checked="" type="checkbox"/> SEAL	<input type="checkbox"/> BLADDER <input checked="" type="checkbox"/> SEAL
SPRING BUCKET	<input checked="" type="checkbox"/> SHORT <input type="checkbox"/> LONG	<input checked="" type="checkbox"/> SHORT <input type="checkbox"/> LONG
PISTONS (1)	N° OF HOLES <u>3</u>	<u>3</u>
	DIAMETER <u>1,4</u> mm	<u>1,5</u> mm
<b>TYPE</b>		
<input type="checkbox"/> STOCK <input checked="" type="checkbox"/> CONICAL <input type="checkbox"/> SQUARE		

**FRONT**  ANTI-ROLL BARS **REAR**

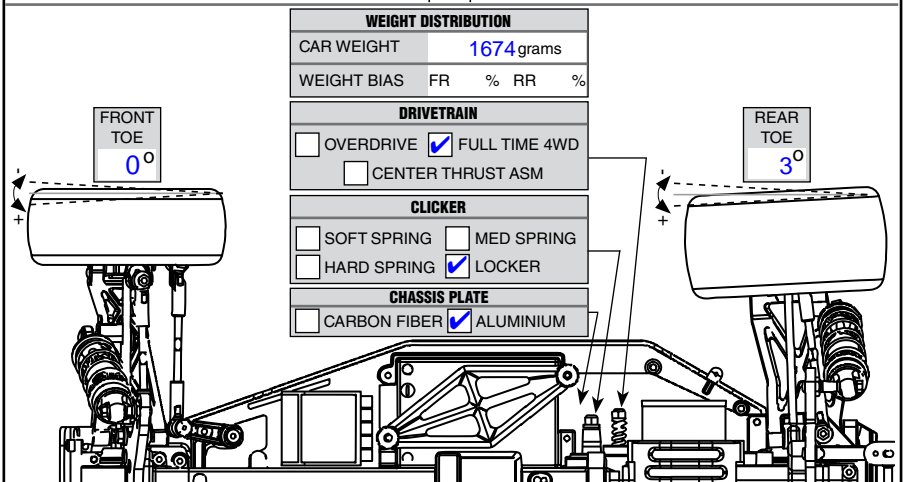
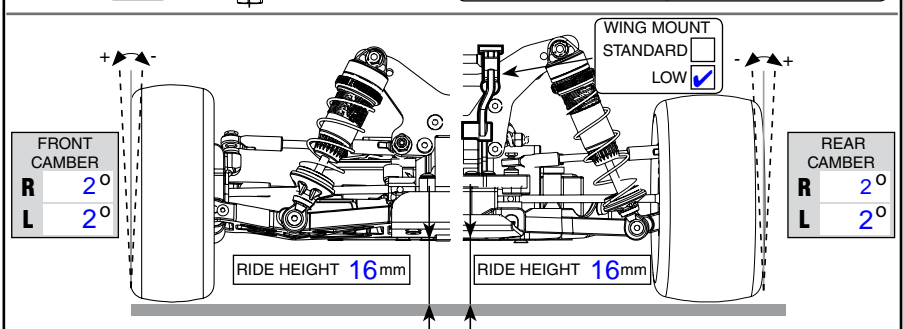
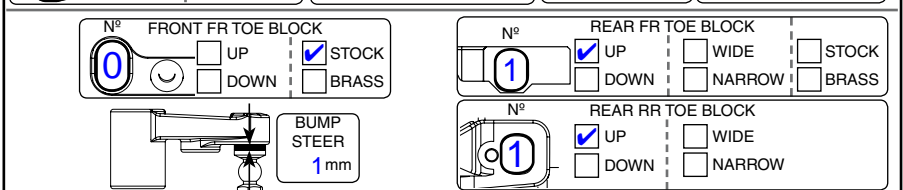
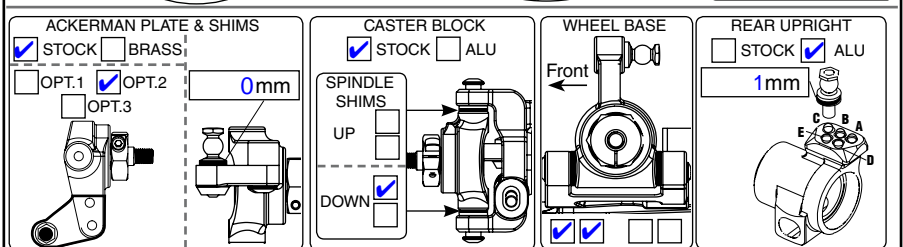
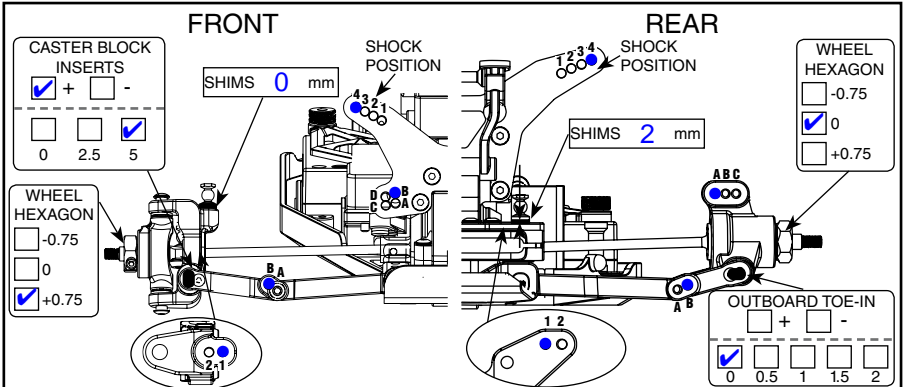
Other 2.0    Other  
 0.9 1 1.1 1.1 1.3 1.5

**TIRES**

FRONT	REAR
<u>Shumacher</u>	<u>Shumacher</u>
<u>Wide stagger</u>	<u>Mini pin</u>
<u>Yellow</u>	<u>Yellow</u>
MAKE	
TYPE	
COMPOUND	
INSERT TYPE	
WHEELS	
ADDITIVE	

**AERODYNAMIC CONFIGURATION**

**BODY** BRAND Proline TYPE Bulldog sx3  
**REAR WING** BRAND Serpent TYPE 6.5  
**REAR WING WIDTH**  
**REAR WING LIP** mm  
**REAR WING ANGLE** 0  2  4  6  8   
**FRONT WING** YES  NO



**REMARKS**  
 2,0 mm chassi Alu. Titanium links. Plastic diff in rear.  
 purple front ASS springs. most important part of the setup is the 2.0 mm sway bar front. made of piano wire. A main setup. really easy to drive on carpet.