

# SET UP



1ST			SPUR			2ND		
<input type="checkbox"/> 58	<input type="checkbox"/> 59	<input type="checkbox"/> 60	<input type="checkbox"/> 53	<input type="checkbox"/> 54	<input type="checkbox"/> 55			

1ST			PINION			2ND		
<input type="checkbox"/> 16	<input type="checkbox"/> 17	<input type="checkbox"/> 18	<input type="checkbox"/> 21	<input type="checkbox"/> 22	<input type="checkbox"/> 23			

FRONT		DRIVE TRAIN		REAR	
<input type="checkbox"/> GEAR DIFF	cst	<input type="checkbox"/> GEAR DIFF	cst		
<input type="checkbox"/> ONE WAY		<input type="checkbox"/> SOLID			
<input type="checkbox"/> SPOOL					

SHOCK ABSORBERS			
FRONT		REAR	
<b>OIL</b>	cst	<b>OIL</b>	cst
<b>SPRINGS</b>		<b>SPRINGS</b>	
<input type="radio"/> Open <input type="radio"/> Closed			

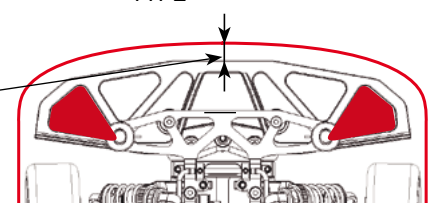
FRONT		ANTI-ROLL BARS				REAR	
<input type="checkbox"/>	<input type="checkbox"/>	<input type="checkbox"/>	<input type="checkbox"/>	<input type="checkbox"/>	<input type="checkbox"/>	<input type="checkbox"/>	<input type="checkbox"/>
1.8	2.2	2.5	2.8	1.6	1.8	2.0	2.2

FRONT		TYRES		REAR	
RIGHT	LEFT	Controlled Tyre <input type="checkbox"/>	RIGHT	LEFT	
		MAKE			
		SHORE			
		DIAMETER			
		5-MIN WEAR			

ENGINE			
<b>ENGINE</b>			
VERSION	HEADSHIMS	mm	
GLOWPLUG	CARB DIA	mm	
PIPE	MANIFOLD		
FUEL	NITRO	%	

CENTAX			
<b>CLUTCHBELL</b>	ALU <input type="checkbox"/>	STEEL <input type="checkbox"/>	
<b>CLUTCHSHOE</b>	YELLOW <input type="checkbox"/>	RED <input type="checkbox"/>	BLACK <input type="checkbox"/>
<b>CLUTCH SPRING</b>		<b>CLUTCH BELL GAP</b>	mm

AERODYNAMIC CONFIGURATION	
BODY	
BRAND	TYPE
<b>BODY POSITION</b>	mm
<b>BUMPER HOLES CUT</b>	
<input type="checkbox"/> YES	<input type="checkbox"/> NO



REMARKS	

RACE		DATE	
TRACK		QUALIFYING POSITION	
DRIVER		QUALIFYING TIME	
TRACTION: LOW <input type="checkbox"/>	MEDIUM <input type="checkbox"/>	HIGH <input type="checkbox"/>	STARTING POSITION
TRACK TEMP		AIR TEMP	
		FINAL POSITION	

