

DRIVER, TRACK AND RESULTS

DRIVER Justin Fales **COUNTRY** US **WEATHER** AIR TEMP **TRACK TEMP** DRY INTERMEDIATE WET
RACE JC Supercup **DATE** 2/4/2017 **QUALY POS.** **STARTING POS.** **FINAL POS.** **FASTEST LAP**
TRACK Lake Park **TYPE** INDOOR OUTDOOR **STYLE** TIGHT MEDIUM OPEN
SURFACE GRIP LOW MEDIUM HIGH **CONDITION** SMOOTH ROUGH
TYPE HARD PACKED CLAY CARPET MULTI/SURFACE GRASS BLUE GROOVE DIRT ASTRO-TURF

FRONT SHOCK ABSORBERS		REAR
400 cst	OIL	375 cst
black	SPRINGS	red
0 mm	REBOUND	0 mm
2 mm	LIMITERS	2 mm
mm	LENGTH	mm
N° HOLES 2	Ø 1.5 mm	PISTONS N° HOLES 2
PISTONS TYPE	<input checked="" type="checkbox"/> STOCK <input type="checkbox"/> CONICAL <input type="checkbox"/> SQUARE	Ø 1.7 mm
<input checked="" type="checkbox"/> HIGH <input type="checkbox"/> LOW	SPRING BUCKETS	<input type="checkbox"/> HIGH <input checked="" type="checkbox"/> LOW
<input type="checkbox"/> BLADDER	SEAL TYPE	<input type="checkbox"/> BLADDER
<input checked="" type="checkbox"/> EMULSION		<input checked="" type="checkbox"/> EMULSION

FRONT ANTI-ROLL BARS		REAR
<input type="checkbox"/>	<input type="checkbox"/>	<input type="checkbox"/>
0.9	1	1.1
mm	OTHER	mm
1.1		1.3
1.5		1.5
mm		mm

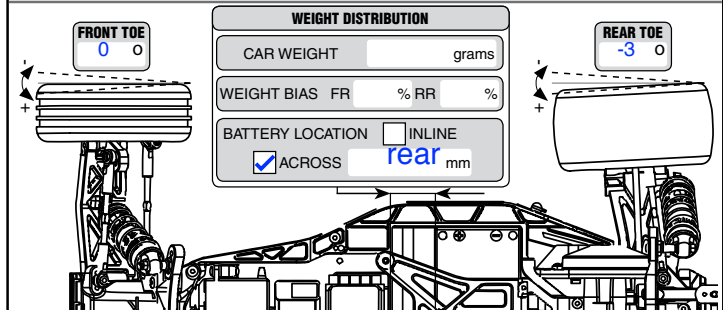
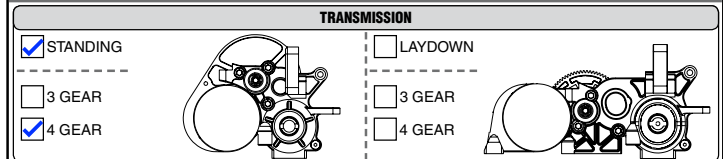
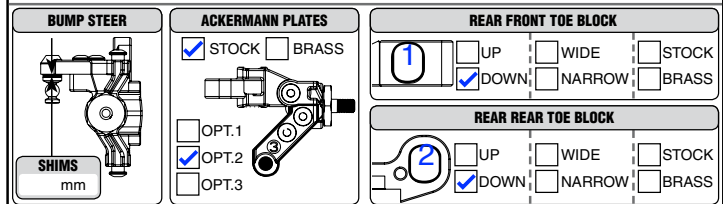
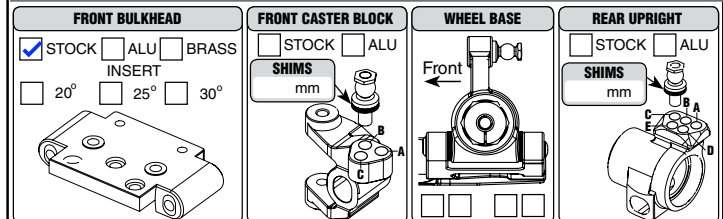
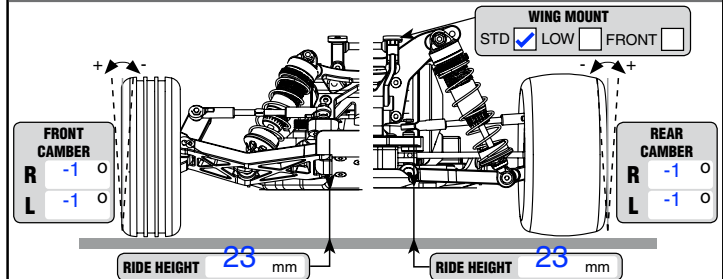
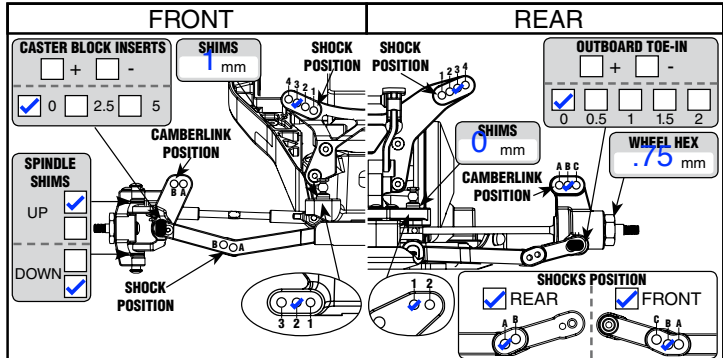
REAR DIFFERENTIAL	
<input checked="" type="checkbox"/> BALL DIFFERENTIAL	DIFFERENTIAL HEIGHT
<input type="checkbox"/> GEAR DIFF	<input type="checkbox"/> HIGH <input checked="" type="checkbox"/> MED <input type="checkbox"/> LOW <input type="checkbox"/> FIXED

GEARING	
PINION 21 Teeth	SPUR GEAR 78 Teeth

ELECTRONICS	
BATTERY	
BRAND GensAce	CAPACITY 4200 mAh
MOTOR	
BRAND Hobbywing	TYPE 8.5
ESC	
BRAND Hobbywing	TYPE Stock Spec

AERODYNAMIC CONFIGURATION	
BODY BRAND stock	TYPE
REAR WING BRAND LFR	TYPE Hammer
REAR WING WIDTH 6.5	REAR WING LIP 1/4" mm
REAR WING ANGLE <input type="checkbox"/> 0° <input checked="" type="checkbox"/> 2° <input type="checkbox"/> 4° <input type="checkbox"/> 6° <input type="checkbox"/> 8°	
FRONT WING <input type="checkbox"/> YES <input checked="" type="checkbox"/> NO	TYPE

FRONT TIRES		Controlled Tire	REAR
AKA	MAKE		AKA
Impact	TYPE		Impact
super soft	COMPOUND		Ultra soft
closed cell	INSERTS		open cell
AKA	WHEELS		AKA
sticky kicks	ADDITIVE		stickey kicks



REMARKS