

## DRIVER, TRACK & RESULTS

<b>DRIVER</b>	COUNTRY	<b>WEATHER</b>	AIR T°	TRACK T°	<input type="checkbox"/> DRY	<input type="checkbox"/> INTERMEDIATE	<input type="checkbox"/> WET	
<b>TRACK</b>	<b>CONDITION</b>	<input type="checkbox"/> ASPHALT	<input type="checkbox"/> CARPET	<input type="checkbox"/> LOW	<input type="checkbox"/> MEDIUM	<input type="checkbox"/> HIGH	<input type="checkbox"/> BUMPY	<input type="checkbox"/> SMOOTH
<b>RACE</b>	DATE	QUALIFICATION	BEST LAP TIME	FINAL				

## FLEX CONFIGURATION

CHASSIS  ALU  CARBON

## CENTER SHOCK ABSORBER

OIL \_\_\_\_\_ REBOUND \_\_\_\_\_

PISTON

SPRING  6.5  8  10  12  14  16  18

OTHER \_\_\_\_\_

## CENTER TUBES

OIL \_\_\_\_\_

## FRONT TYRES Controlled Tyre REAR

RUBBER TYPE  FOAM

BRAND & TYPE \_\_\_\_\_

DIAMETER (mm) \_\_\_\_\_

ADDITIVE \_\_\_\_\_

ADDITIVE TIMING (min) \_\_\_\_\_

SURFACE (%) \_\_\_\_\_

## ELECTRONICS

BATTERY \_\_\_\_\_

MOTOR \_\_\_\_\_ TIMING \_\_\_\_\_

ESC \_\_\_\_\_ RECEIVER \_\_\_\_\_

SERVO \_\_\_\_\_ RADIO \_\_\_\_\_

## RATIO CONFIGURATION

PINION \_\_\_\_\_ SPUR GEAR \_\_\_\_\_ PITCH \_\_\_\_\_

FINAL RATIO \_\_\_\_\_ ROLLOUT \_\_\_\_\_ mm

## AERODYNAMIC CONFIGURATION

BODY \_\_\_\_\_

FRONT WING

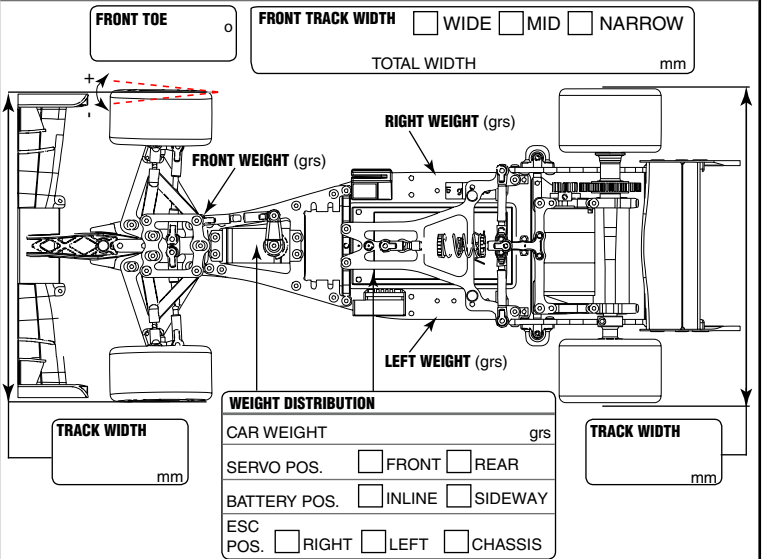
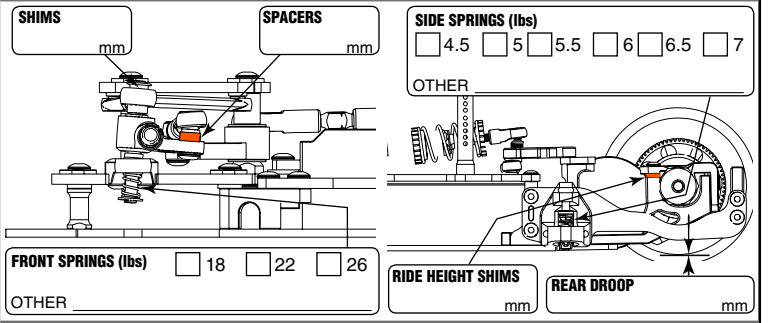
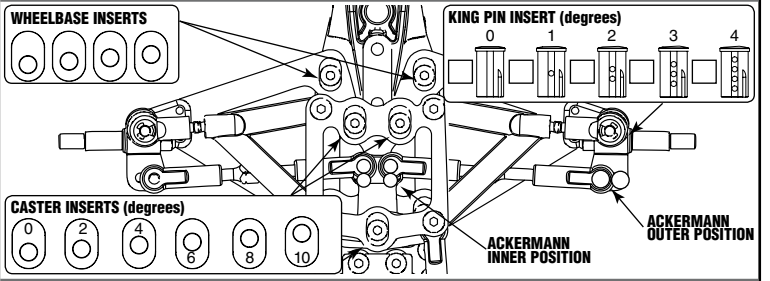
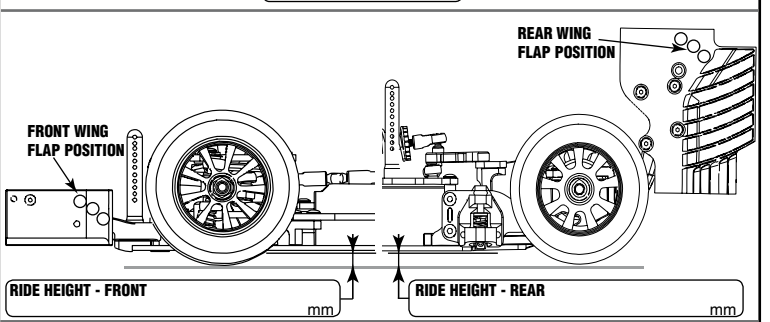
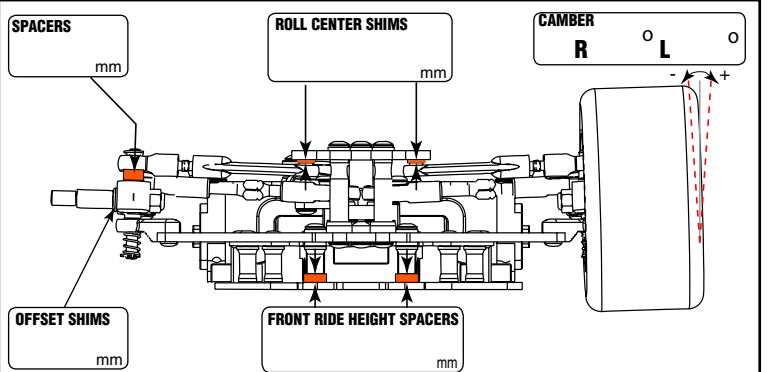
FRONT BIG WING FLAPS  YES  NO

FRONT SMALL WING FLAPS  YES  NO

REAR WING

REAR WING POSITION  UP  MIDDLE  DOWN

REAR DIFFUSER  YES  NO



Arr0 - PetitRC

# NOTES