



# SET UP

## DIFFERENTIAL OIL

FRONT	CENTER	REAR
5000 CST	5000 CST	3000 CST

## TRANSMISSION SET UP

PINION	16 T	SPUR GEAR	46 T
FINAL DRIVE RATIO		ROLLOUT	mm
MOTOR		TIMING	
ROTOR		ARMATURE	
ESC		BATTERIES	
BRUSHLESS	PROGRAM	PUNCH	INITIAL BRAKE
			AUTO BRAKE

## BODY - WING

BODY	SERPENT
WING	STOCK

## SHOCKS

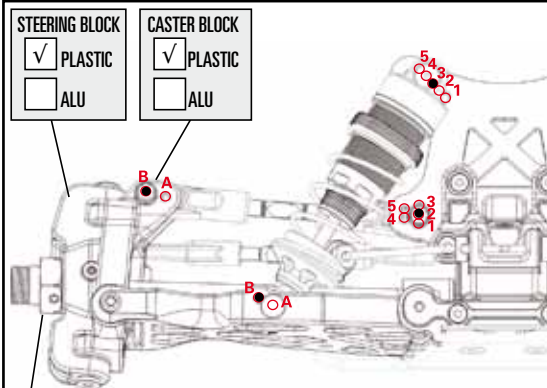
FRONT	SPRING	REAR
C= 4.8 <input checked="" type="checkbox"/>	PINK	C= 2.8 <input type="checkbox"/>
C= 5.0 <input type="checkbox"/>	BLUE	C= 3.0 <input type="checkbox"/>
C= 5.2 <input type="checkbox"/>	PURPLE	C= 3.2 <input type="checkbox"/>
C= 5.4 <input type="checkbox"/>	GREEN	C= 3.4 <input type="checkbox"/>
C= 5.6 <input type="checkbox"/>	GREY	C= 3.6 <input type="checkbox"/>
C= 5.8 <input type="checkbox"/>	YELLOW	C= 3.8 <input type="checkbox"/>
C= 6.0 <input type="checkbox"/>	WHITE	C= 4.0 <input checked="" type="checkbox"/>
C= <input type="checkbox"/>	OTHER	C= <input type="checkbox"/>
300	OIL/CST	300
	REBOUND %	
<input type="radio"/> OPEN	<b>PISTON HOLES SIZE</b>	<input type="radio"/> CLOSED
<input type="checkbox"/> 1.1MM	<input type="checkbox"/>	<input type="checkbox"/>
<input type="checkbox"/> 1.2MM	<input type="checkbox"/>	<input type="checkbox"/>
<input checked="" type="checkbox"/> 1.3MM	<input checked="" type="checkbox"/>	<input type="checkbox"/>
<input type="checkbox"/> 1.4MM	<input type="checkbox"/>	<input type="checkbox"/>
KIT	OTHER	KIT

## TYRES

BRAND	
TYPE	
INSERT	
WHEELS	

## COMMENTS

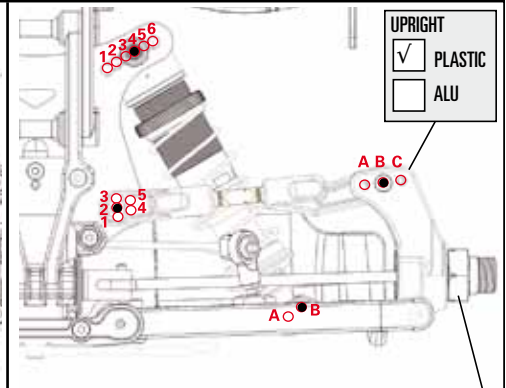
NAME	RACE			DATE
TRACK	CITY/COUNTRY			CONTACT
TRACK SIZE	<input type="checkbox"/> OPEN	<input type="checkbox"/> MEDIUM	<input type="checkbox"/> TIGHT	TEMP. F / °C
TRACK TRACTION	<input type="checkbox"/> HIGH	<input type="checkbox"/> MEDIUM	<input type="checkbox"/> LOW	AIR TRACK
TRACK SURFACE	<input type="checkbox"/> SMOOTH	<input type="checkbox"/> MEDIUM	<input type="checkbox"/> BUMPY	LAPS
TRACK TYPE	<input type="checkbox"/> HARD PACKED	<input type="checkbox"/> SOFT DIRT	<input type="checkbox"/> CLAY	BEST LAPTIME
	<input type="checkbox"/> BLUE GROOVE	<input type="checkbox"/> ASTRO TURF	<input type="checkbox"/> GRASS	in LAP
TRACK CONDITION	<input type="checkbox"/> DRY	<input type="checkbox"/> DUSTY	<input type="checkbox"/> MUD	RACE LENGTH
				RACE RESULT



STEERING BLOCK  PLASTIC  ALU

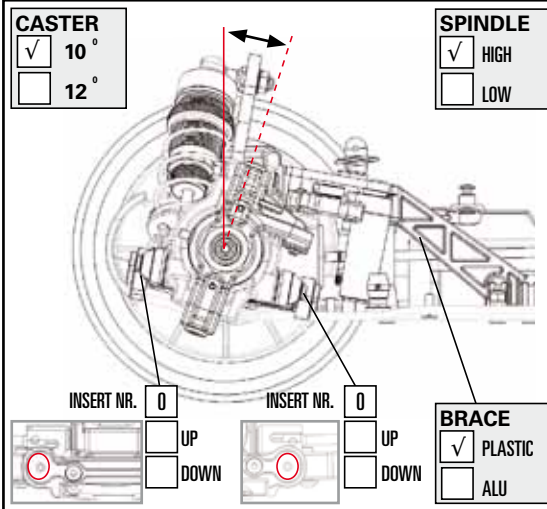
CASTER BLOCK  PLASTIC  ALU

HEX ADAPTER  -2MM  -1MM  0MM



UPRIGHT  PLASTIC  ALU

HEX ADAPTER  -2MM  -1MM  0MM



CASTER  10°  12°

SPINDLE  HIGH  LOW

BRACE  PLASTIC  ALU

INSERT NR. 0  UP  DOWN

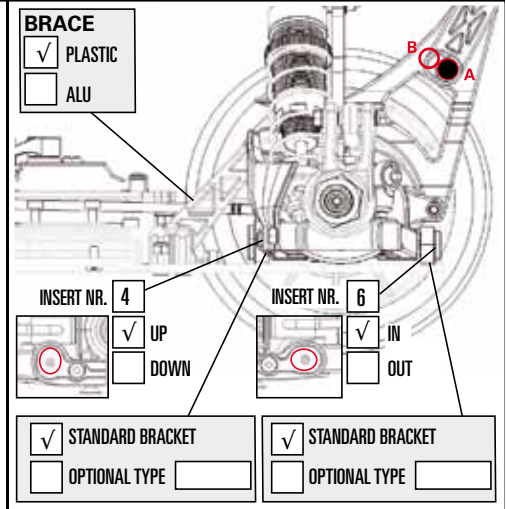
INSERT NR. 0  UP  DOWN

BRACE  PLASTIC  ALU

ANTI ROLLBAR  1.8MM  2.0MM  2.3MM  2.5MM  2.7MM

SERVO SAVER SPRING  STANDARD  HARD

STEERING BAR  OPT 1  OPT 2  OPT 3



BRACE  PLASTIC  ALU

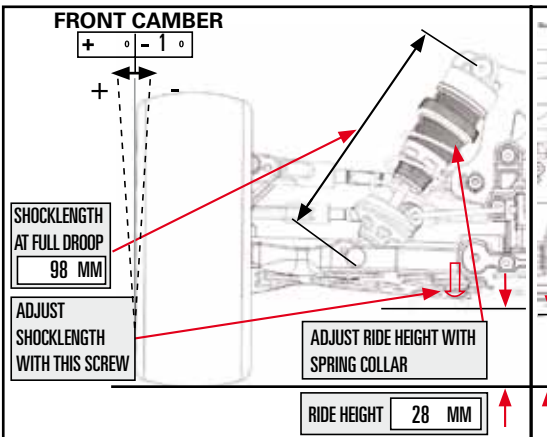
INSERT NR. 4  UP  DOWN

INSERT NR. 6  IN  OUT

WHEELBASE SHIMS  1.25  2.5  3.75  5MM

ANTI ROLLBAR  1.8MM  2.0MM  2.3MM  2.5MM  2.7MM

WING LOCATION IN MM STD.



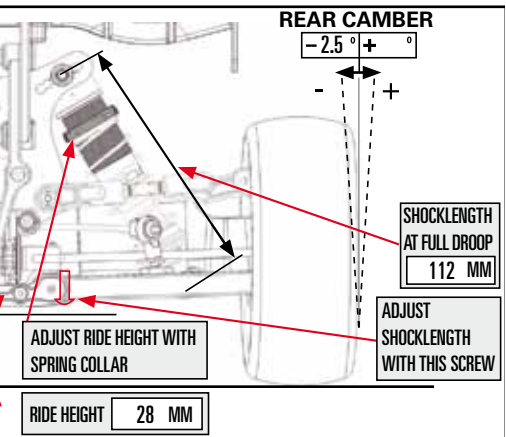
FRONT CAMBER  $+ \text{ } -1 \text{ } ^\circ$

SHOCKLENGTH AT FULL DROOP 98 MM

ADJUST SHOCKLENGTH WITH THIS SCREW

ADJUST RIDE HEIGHT WITH SPRING COLLAR

RIDE HEIGHT 28 MM



REAR CAMBER  $-2.5 \text{ } + \text{ } ^\circ$

SHOCKLENGTH AT FULL DROOP 112 MM

ADJUST SHOCKLENGTH WITH THIS SCREW

ADJUST RIDE HEIGHT WITH SPRING COLLAR

RIDE HEIGHT 28 MM