

DRIVER, TRACK AND RESULTS

DRIVER **DEFAULT** COUNTRY WEATHER AIR TEMP TRACK TEMP DRY INTERMEDIATE WET

TRACK TRACTION LOW MEDIUM HIGH COMMENTS

RACE DATE QUALY POS. QUALY TIME STARTING POS. FINAL POS.

1ST		SPUR GEARS		2ND	
<input type="checkbox"/> 61	<input checked="" type="checkbox"/> 62	<input type="checkbox"/> 63	<input type="checkbox"/> 56	<input checked="" type="checkbox"/> 57	<input type="checkbox"/> 58

1ST		PINION		2ND	
<input type="checkbox"/> 18	<input checked="" type="checkbox"/> 19	<input type="checkbox"/> 20	<input type="checkbox"/> 23	<input checked="" type="checkbox"/> 24	<input type="checkbox"/> 25

FRONT SHOCK ABSORBERS		REAR	
OIL <input type="text" value="800"/> cst	OIL <input type="text" value="800"/> cst	SPRINGS <input type="text" value="purple"/>	SPRINGS <input type="text" value="pink"/>
<input checked="" type="checkbox"/> <input type="checkbox"/> <input type="checkbox"/> <input type="checkbox"/> <input type="checkbox"/> <input type="checkbox"/>	<input type="checkbox"/> <input checked="" type="checkbox"/> <input type="checkbox"/> <input type="checkbox"/> <input type="checkbox"/> <input type="checkbox"/>		

FRONT HEAVE DAMPER		REAR	
OIL <input type="text"/> cst	OIL <input type="text"/> cst	SPRINGS <input type="text"/>	SPRINGS <input type="text"/>
<input type="checkbox"/> <input type="checkbox"/> <input type="checkbox"/> <input type="checkbox"/> <input type="checkbox"/> <input type="checkbox"/>	<input type="checkbox"/> <input type="checkbox"/> <input type="checkbox"/> <input type="checkbox"/> <input type="checkbox"/> <input type="checkbox"/>		

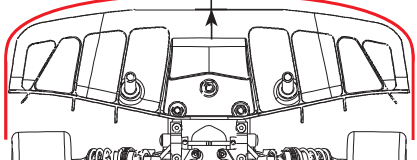
ANTI-ROLL BARS	
FRONT ANTI-ROLL BAR <input type="text" value="medium"/>	REAR ANTI-ROLL BAR <input type="text" value="hard"/>

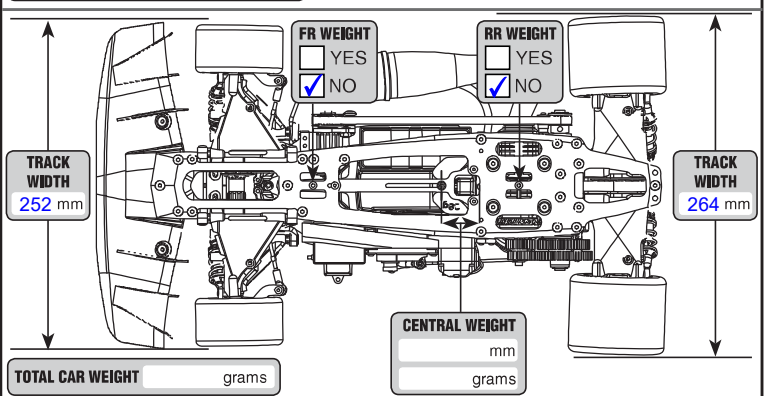
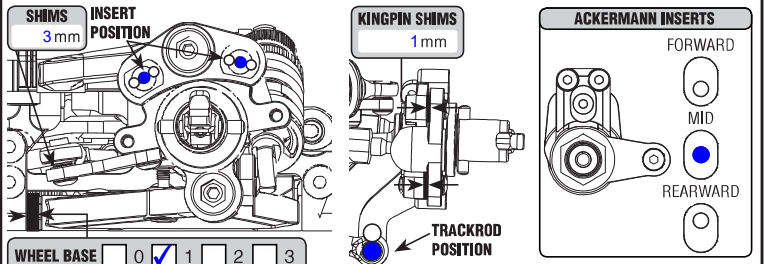
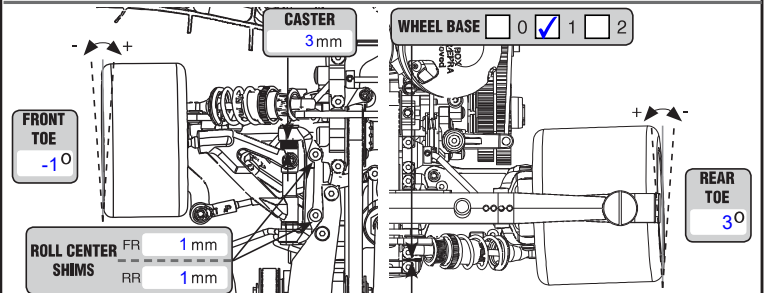
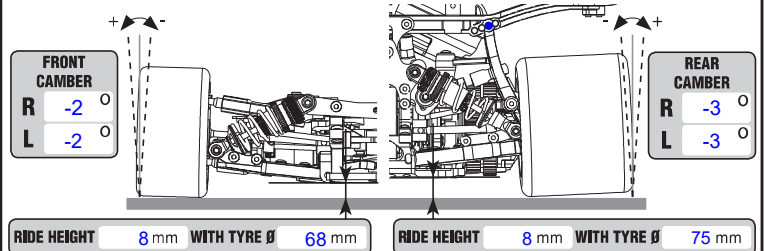
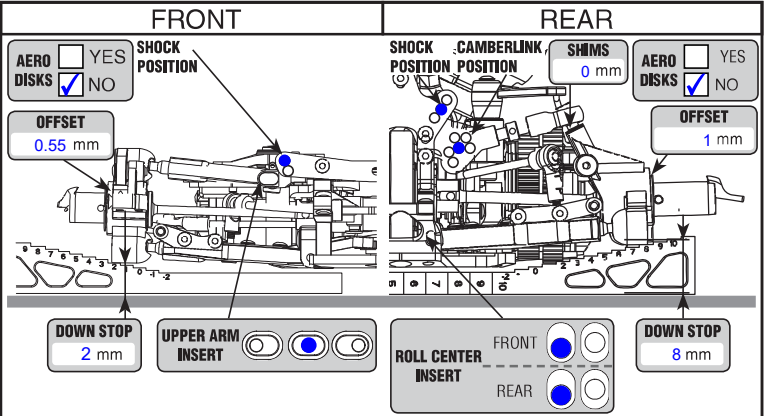
FRONT TYRES		REAR	
<input type="text"/>	Controlled Tyre <input type="checkbox"/>	<input type="text"/>	<input type="checkbox"/>
<input type="text"/>	MAKE <input type="text"/>	<input type="text"/>	SHORE <input type="text"/>
<input type="text"/>	DIAMETER <input type="text"/>	<input type="text"/>	5-MIN WEAR <input type="text"/>

POWER PACK			
ENGINE BRAND <input type="text"/>		TYPE <input type="text"/>	
GLOWPLUG <input type="text"/>	CARBØ <input type="text"/>	mm	HEAD CLEARANCE <input type="text"/>
EXHAUST PIPE <input type="text"/>		MANIFOLD <input type="text"/>	
FUEL BRAND <input type="text"/>		NITRO <input type="text"/>	

CLUTCH	
CLUTCH BELL <input type="checkbox"/> ALU <input checked="" type="checkbox"/> STEEL	CLUTCH SHOE <input type="checkbox"/> RED <input checked="" type="checkbox"/> YELLOW <input type="checkbox"/> BLACK
CLUTCH SPRING <input type="text" value="x-hard"/>	CLUTCH BELL GAP <input type="text" value="0.7"/> mm

FLEX CONFIGURATION		
FR WISHBONES INSERTS <input checked="" type="checkbox"/> PLASTIC <input type="checkbox"/> CARBON	RR WISHBONES INSERTS <input checked="" type="checkbox"/> PLASTIC <input type="checkbox"/> CARBON	FLEX <input type="checkbox"/> YES <input checked="" type="checkbox"/> NO

AERODYNAMIC CONFIGURATION	
BODY BRAND <input type="text"/>	BODY POSITION <input type="text"/> mm
BODY TYPE <input type="text"/>	
AIR TRIM POSITION <input type="text"/> mm	



REMARKS