



# SET UP

## 977 VIPER

1ST	<input type="text" value="SPUR"/>	2ND
<input type="checkbox"/> 48T	<input type="checkbox"/> 49T	<input type="checkbox"/> 50T
<input type="checkbox"/> 44T	<input type="checkbox"/> 45T	<input type="checkbox"/> 46T

1ST	<input type="text" value="PINION"/>	2ND
<input type="checkbox"/> 15T	<input type="checkbox"/> 16T	<input type="checkbox"/> 17T
<input type="checkbox"/> 18T	<input type="checkbox"/> 19T	<input type="checkbox"/> 20T

<input type="text" value="CENTAX"/>		
CLUTCHBELL	ALU <input type="checkbox"/>	STEEL <input type="checkbox"/>
CLUTCHSHOE	BLACK <input type="checkbox"/>	YELLOW <input type="checkbox"/> RED <input type="checkbox"/>

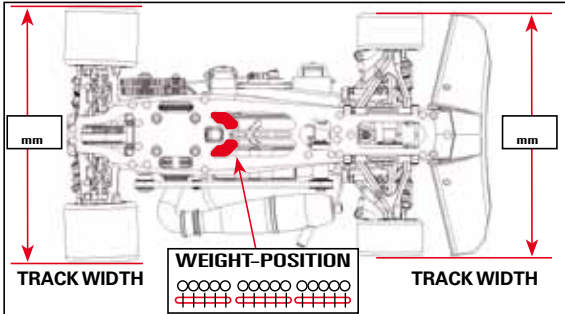
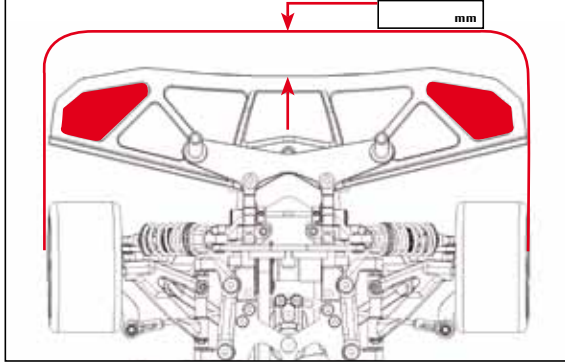
FRONT		REAR	
<input type="text" value="SHOCK ABSORBERS"/>			
OIL	<input type="checkbox"/> CST	<input type="checkbox"/> OPEN	<input type="checkbox"/> CLOSED
<input type="checkbox"/> SPRING			

LEFT	RIGHT	TYRES	LEFT	RIGHT
		MAKE		
0	0	SHORE	0	0
mm	mm	DIAMETER	mm	mm
mm	mm	5-MIN WEAR	mm	mm

ENGINE	
VERSION	HEADSHIMS mm
GLOWPLUG	CARB DIA mm

EXHAUST	
FUEL	%

BODY TYPE	
BUMPER HOLES CUT	YES <input type="checkbox"/> NO <input type="checkbox"/>



REMARKS	

RACE	<input type="text"/>	DATE	<input type="text"/>
TRACK	<input type="text"/>	RESULT	<input type="text"/>
DRIVER:	<input type="text"/>	QUALIFYING POSITION	<input type="text"/>
LAYOUT:	<input type="checkbox"/> TECHNICAL	<input type="checkbox"/> MIXED	<input type="checkbox"/> FAST
TRACTION:	<input type="checkbox"/> LOW	<input type="checkbox"/> MEDIUM	<input type="checkbox"/> HIGH
TRACK TEMP	<input type="text"/>	AIR TEMP	<input type="text"/>
		QUALIFYING TIME	<input type="text"/>
		FINAL POSITION	<input type="text"/>

