



SET UP

977 VIPER

RACE	EC A	DATE	26-7-2014
TRACK	Graz	RESULT	
DRIVER:		QUALIFYING POSITION	
LAYOUT:	<input type="checkbox"/> TECHNICAL <input checked="" type="checkbox"/> MIXED <input type="checkbox"/> FAST	QUALIFYING TIME	
TRACTION:	<input checked="" type="checkbox"/> LOW <input type="checkbox"/> MEDIUM <input type="checkbox"/> HIGH	FINAL POSITION	
TRACK TEMP		AIR TEMP	

FRONT	<input checked="" type="checkbox"/> APPLIED	REAR

R 2°	1.5°	L	CAMBER	R 4°	3.5°	L
RIDE-HEIGHT 7 mm				RIDE-HEIGHT 8 mm		
RIDE-HEIGHT MEASURED WITH SET UP WHEEL Ø 67 MM				RIDE-HEIGHT MEASURED WITH SET UP WHEEL Ø 74 MM		

TOE-IN -1°	SHIMS FRONT 2 mm	CONNECTOR TYPE NONE	WHEELBASE 1 mm
	SHIMS REAR 2 mm	RUBBER <input checked="" type="checkbox"/>	
	ANTI-ROLL BAR 1	ALU <input type="checkbox"/>	TOE-IN 2.5°
CASTER SPACERS 3 mm	FLEX YES <input type="checkbox"/>		
	NO <input checked="" type="checkbox"/>		
	ANTI-ROLL BAR 1		

BRACKET TYPE UP	INSERT-POSITION	INSERT
DOWN <input checked="" type="checkbox"/>		

1ST	SPUR	2ND
<input checked="" type="checkbox"/> 48T	<input type="checkbox"/> 49T	<input type="checkbox"/> 46T
<input type="checkbox"/> 50T	<input type="checkbox"/> 44T	<input type="checkbox"/> 45T

1ST	PINION	2ND
<input checked="" type="checkbox"/> 15T	<input type="checkbox"/> 16T	<input type="checkbox"/> 19T
<input type="checkbox"/> 17T	<input type="checkbox"/> 18T	<input type="checkbox"/> 20T

CENTAX	
CLUTCHBELL	ALU <input checked="" type="checkbox"/> STEEL <input type="checkbox"/>
CLUTCHSHOE	BLACK <input checked="" type="checkbox"/> YELLOW <input type="checkbox"/> RED <input type="checkbox"/>

FRONT	SHOCK ABSORBERS	REAR
OIL 55wt CST		OIL 55wt CST
SPRING Green		SPRING Pink

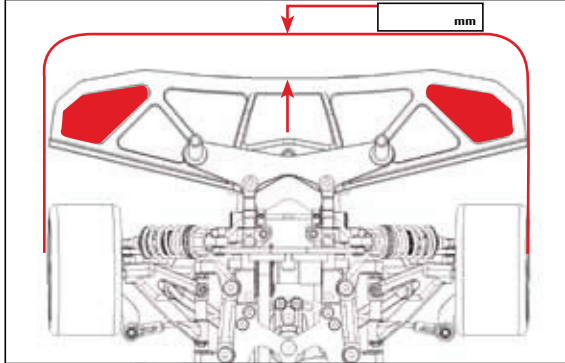
LEFT control	RIGHT tyre	TYRES MAKE	LEFT control	RIGHT tyre
0	0	SHORE	0	0
mm	mm	DIAMETER	mm	mm
mm	mm	5-MIN WEAR	mm	mm

ENGINE	Novarossi		
VERSION	Keep on	HEADSHIMS	std mm
GLOWPLUG	8 T	CARB DIA	8.5 mm

EXHAUST	2015 - 5 Ring header		
---------	----------------------	--	--

FUEL	Mecamo	16 %
------	--------	------

BODY TYPE	909
BUMPER HOLES CUT	YES <input type="checkbox"/> NO <input checked="" type="checkbox"/>



264 mm		252 mm
TRACK WIDTH	WEIGHT-POSITION	TRACK WIDTH

REMARKS	Aero wheel disc - Alu servo saver - Alu wheel axles - 10g on front bumper - set using xceed gauges -
---------	--