



# SET UP

## 977 VIPER

1ST		SPUR		2ND	
<input type="checkbox"/>	<input type="checkbox"/>	<input type="checkbox"/>	<input type="checkbox"/>	<input type="checkbox"/>	<input type="checkbox"/>
48T	49T	50T	44T	45T	46T

1ST		PINION		2ND	
<input type="checkbox"/>	<input type="checkbox"/>	<input type="checkbox"/>	<input type="checkbox"/>	<input type="checkbox"/>	<input type="checkbox"/>
15T	16T	17T	18T	19T	20T

CENTAX	
CLUTCHBELL	ALU <input type="checkbox"/> STEEL <input type="checkbox"/>
CLUTCHSHOE	BLACK <input type="checkbox"/> YELLOW <input type="checkbox"/> RED <input type="checkbox"/>

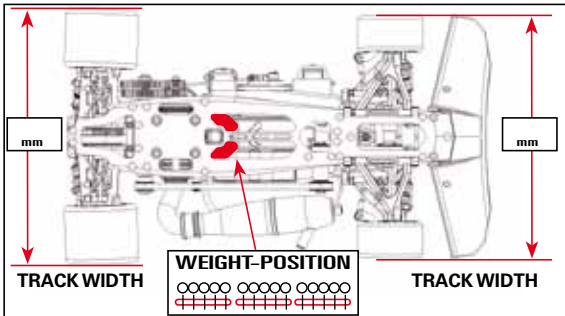
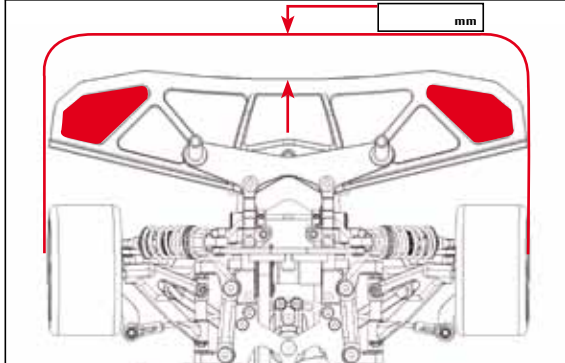
FRONT		REAR	
SHOCK ABSORBERS			
OIL	<input type="checkbox"/> CST	<input type="checkbox"/> OPEN	<input type="checkbox"/> CLOSED
<input type="checkbox"/> SPRING			
OIL	<input type="checkbox"/> CST	<input type="checkbox"/> SPRING	<input type="checkbox"/> SPRING

LEFT	RIGHT	TYRES	LEFT	RIGHT
		MAKE		
0	0	SHORE	0	0
mm	mm	DIAMETER	mm	mm
mm	mm	5-MIN WEAR	mm	mm

ENGINE	
VERSION	HEADSHIMS mm
GLOWPLUG	CARB DIA mm

EXHAUST	
FUEL	%

BODY TYPE	
BUMPER HOLES CUT	YES <input type="checkbox"/> NO <input type="checkbox"/>



REMARKS

---



---



---

RACE		DATE	
TRACK		RESULT	
DRIVER:		QUALIFYING POSITION	
LAYOUT:	<input type="checkbox"/> TECHNICAL <input type="checkbox"/> MIXED <input type="checkbox"/> FAST	QUALIFYING TIME	
TRACTION:	<input type="checkbox"/> LOW <input type="checkbox"/> MEDIUM <input type="checkbox"/> HIGH	FINAL POSITION	
TRACK TEMP		AIR TEMP	

