

# SET-UP SHEET



**NAME** Ilja van Gastel

**RACE** warm up Locorotondo

**DATE**

1ST			SPUR			2ND		
<input type="checkbox"/>	<input type="checkbox"/>	<input checked="" type="checkbox"/>	<input type="checkbox"/>	<input checked="" type="checkbox"/>	<input type="checkbox"/>	<input type="checkbox"/>	<input checked="" type="checkbox"/>	<input type="checkbox"/>
47T	48T	49T	44T	45T	46T			

**TRACK** Locorotondo

**SURFACE**  ASPHALT  OTHER SPECIFY \_\_\_\_\_

**LAYOUT**  TECHNICAL  MIXED  FAST

**TRACTION**  LOW  MEDIUM  HIGH

**RESULT**

QUALIFYING POSITION \_\_\_\_\_

QUALIFYING TIME \_\_\_\_\_

FINAL POSITION \_\_\_\_\_

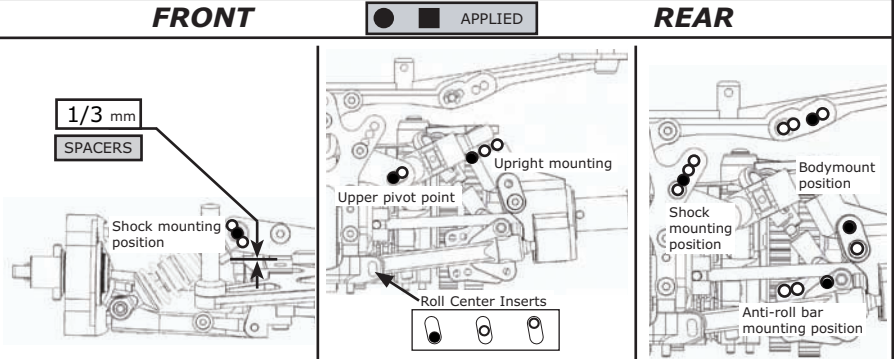
1ST			PINION			2ND		
<input type="checkbox"/>	<input checked="" type="checkbox"/>	<input type="checkbox"/>	<input type="checkbox"/>	<input checked="" type="checkbox"/>	<input type="checkbox"/>	<input type="checkbox"/>	<input checked="" type="checkbox"/>	<input type="checkbox"/>
15T	16T	17T	18T	19T	20T			

**TRACK TEMP** \_\_\_\_\_ **AIR TEMP** \_\_\_\_\_

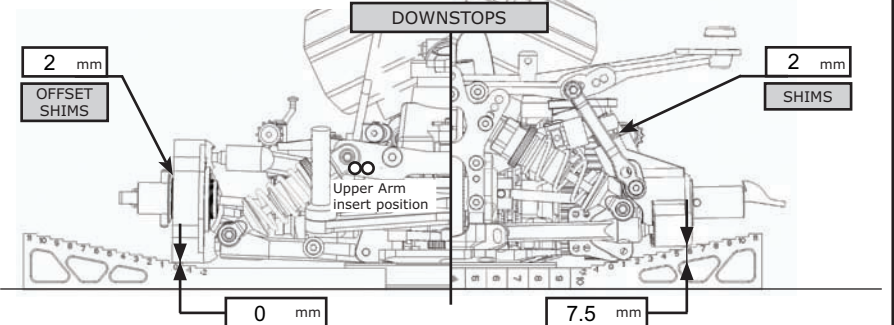
**DRIVE TRAIN**

MIDDLE AXLE PULLEY  24T  25T

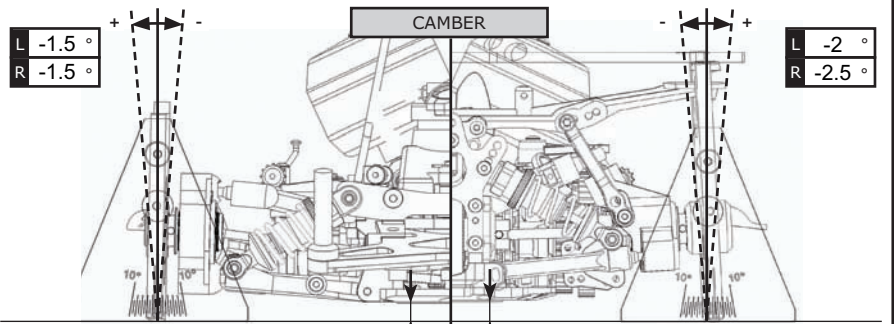
FRONT		REAR	
SHOCK ABSORBERS			
OIL/W			OIL/W
1000			1000
SPRING			SPRING
PURPLE			PINK



ANTI-ROLL BARS					WIRE 2.5				
<input checked="" type="checkbox"/>	<input type="checkbox"/>	<input type="checkbox"/>	<input type="checkbox"/>	<input type="checkbox"/>	<input type="checkbox"/>	<input type="checkbox"/>	<input type="checkbox"/>	<input type="checkbox"/>	<input type="checkbox"/>
0°	30°	45°	60°	90°	0°	30°	45°	60°	90°



LEFT	RIGHT	TYRES	LEFT	RIGHT
Xceed	Xceed	MAKE	Xceed	Xceed
32 °	32 °	SHORE	35 °	35 °
67 mm	67 mm	DIAMETER	74 mm	74 mm
mm	mm	5-MIN WEAR	mm	mm



**ENGINE** Mega ZX21 DS4

VERSION EDO HEADSHIMS 0.5 mm

GLOWPLUG 7 cold CARB DIA 9.0 mm

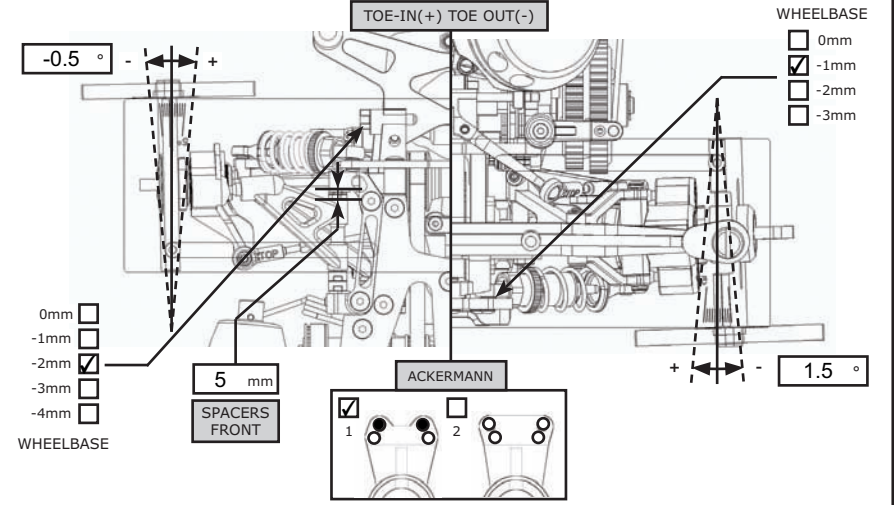
**RIDE-HEIGHT** 8 mm 9.5 mm **RIDE-HEIGHT**

**EXHAUST** 2033

FIXED HEADER  long  med  short CONICAL  Yes  No

**FUEL** MERLIN

NITRO 25 %



**BODY** Zytec 2

WING \_\_\_\_\_

TRIM TAB 8 mm

BODY POSITION 13 mm

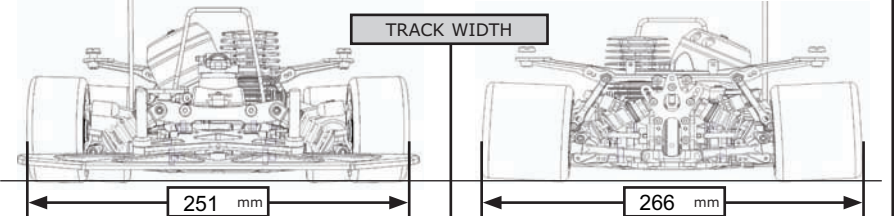
**STIFFENERS**

CARBON  Yes  No

BRASS  Yes  No

RIGHT SIDEPLATE  Yes  No

LEFT SIDEPLATE  Yes  No



steeringblock no. 2 on the right side, centered wheelaxle radioplate with link system, not fixed backwards angled front upper arm, 2mm higher in the front  
W2 uprights