

1ST		SPUR		2ND	
<input type="checkbox"/>	<input type="checkbox"/>	<input type="checkbox"/>	<input type="checkbox"/>	<input type="checkbox"/>	<input type="checkbox"/>
48T	49T	50T	44T	45T	46T

1ST		PINION		2ND	
<input type="checkbox"/>	<input type="checkbox"/>	<input type="checkbox"/>	<input type="checkbox"/>	<input type="checkbox"/>	<input type="checkbox"/>
15T	16T	17T	18T	19T	20T

CENTAX	
CLUTCHBELL	ALU <input type="checkbox"/> STEEL <input type="checkbox"/>
CLUTCHSHOE	BLACK <input type="checkbox"/> YELLOW <input type="checkbox"/> RED <input type="checkbox"/>

FRONT		REAR	
SHOCK ABSORBERS			
OIL	<input type="checkbox"/>	OIL	<input type="checkbox"/>
CST	<input type="checkbox"/>	CST	<input type="checkbox"/>
SPRING	<input type="checkbox"/>	SPRING	<input type="checkbox"/>
OPEN <input type="checkbox"/>		CLOSED <input checked="" type="checkbox"/>	

ANTI-ROLL BARS		WIRE		Ø
<input type="checkbox"/>	<input type="checkbox"/>	<input type="checkbox"/>	<input type="checkbox"/>	<input type="checkbox"/>
0°	30°	45°	60°	90°

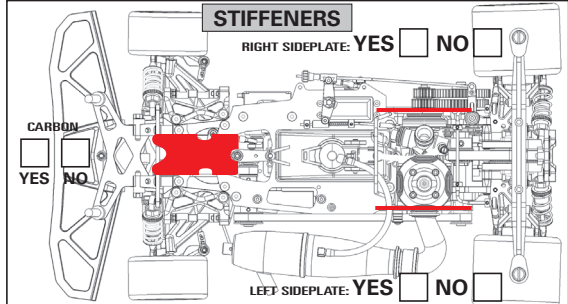
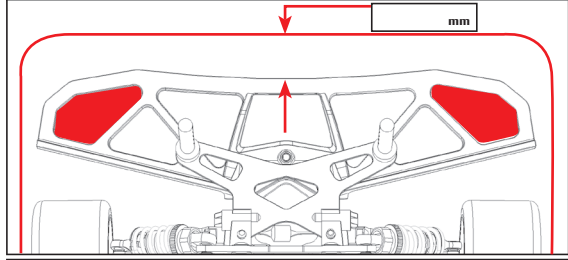
LEFT	RIGHT	TYRES	LEFT	RIGHT
		MAKE		
0	0	SHORE	0	0
mm	mm	DIAMETER	mm	mm
mm	mm	5-MIN WEAR	mm	mm

ENGINE	
VERSION	HEADSHIMS mm
GLOWPLUG	CARB DIA mm

EXHAUST	
FUEL	%

BODY TYPE:

BUMPER HOLES CUT: YES NO



REMARKS

RACE	DATE
TRACK	RESULT
SURFACE: <input type="checkbox"/> ASPHALT <input type="checkbox"/> OTHER SPECIFY	QUALIFYING POSITION
LAYOUT: <input type="checkbox"/> TECHNICAL <input type="checkbox"/> MIXED <input type="checkbox"/> FAST	QUALIFYING TIME
TRACTION: <input type="checkbox"/> LOW <input type="checkbox"/> MEDIUM <input type="checkbox"/> HIGH	FINAL POSITION
TRACK TEMP	AIR TEMP

