

DRIVER, TRACK AND RESULTS

DRIVER _____ COUNTRY _____ WEATHER AIR TEMP _____ TRACK TEMP _____ DRY INTERMEDIATE WET

TRACK _____ TRACTION LOW MEDIUM HIGH COMMENTS _____

RACE _____ DATE _____ QUALY POS. _____ QUALY TIME _____ STARTING POS. _____ FINAL POS. _____

FRONT	DRIVE TRAIN	REAR
<input type="checkbox"/> GEAR DIFF	cst	<input type="checkbox"/> GEAR DIFF
<input type="checkbox"/> SPOOL		

1ST	SPUR GEARS	2ND
<input type="checkbox"/> 58	<input type="checkbox"/> 59 <input type="checkbox"/> 60	<input type="checkbox"/> 53 <input type="checkbox"/> 54 <input type="checkbox"/> 55

1ST	PINION	2ND
<input type="checkbox"/> 15	<input type="checkbox"/> 16 <input type="checkbox"/> 17	<input type="checkbox"/> 20 <input type="checkbox"/> 21 <input type="checkbox"/> 22

FRONT	SHOCK ABSORBERS	REAR
	cst OIL	cst

SPRINGS	
mm	REBOUND mm

<input type="checkbox"/>	<input type="checkbox"/>	<input type="checkbox"/>	<input type="checkbox"/>	<input type="checkbox"/>	<input type="checkbox"/>	<input type="checkbox"/>	<input type="checkbox"/>
--------------------------	--------------------------	--------------------------	--------------------------	--------------------------	--------------------------	--------------------------	--------------------------

ANTI-ROLL BARS	
FRONT ANTI-ROLL BAR	mm
REAR ANTI-ROLL BAR	mm

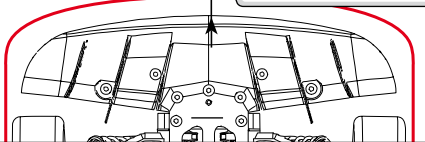
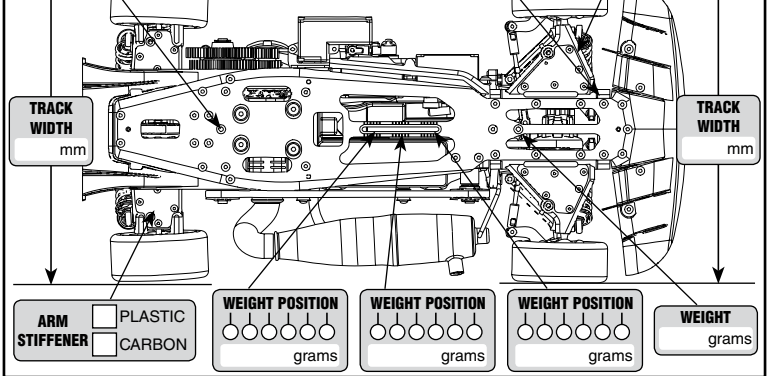
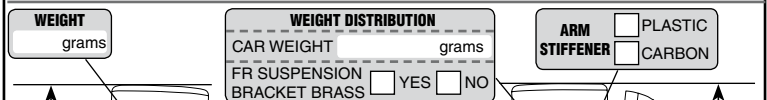
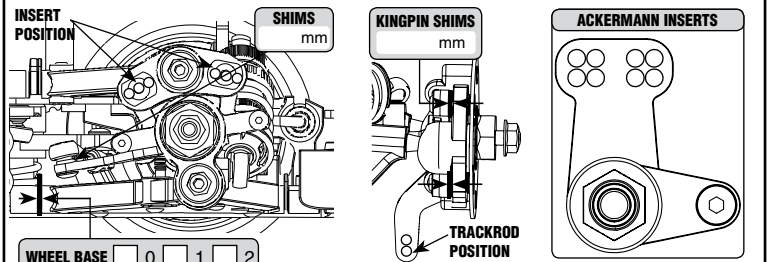
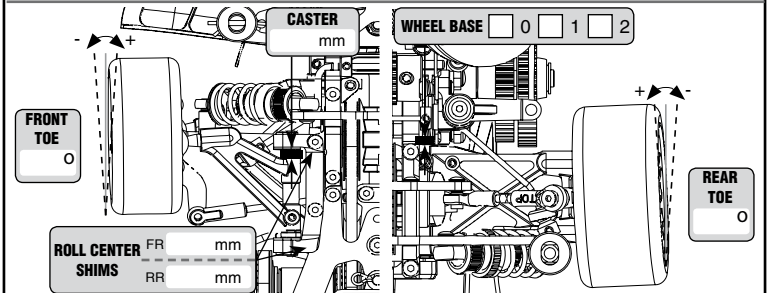
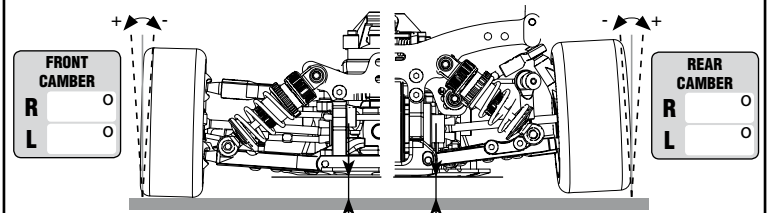
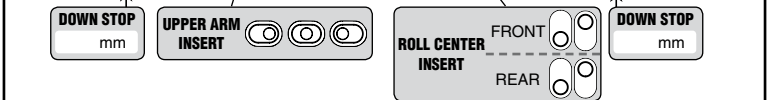
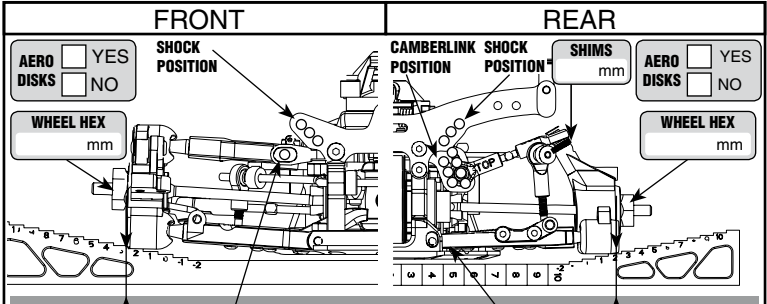
FRONT TYRES	Controlled Tyre <input type="checkbox"/>	REAR
MAKE _____		
SHORE _____		
DIAMETER _____		
5-MIN WEAR _____		

POWER PACK	
ENGINE BRAND _____	TYPE _____
GLOWPLUG _____	CARBØ _____ mm HEAD CLEARANCE _____ mm
EXAUSHT PIPE _____	MANIFOLD _____
FUEL BRAND _____	NITRO _____

CLUTCH	
CLUTCH BELL <input type="checkbox"/> ALU <input type="checkbox"/> STEEL	CLUTCH SHOE <input type="checkbox"/> RED <input type="checkbox"/> YELLOW <input type="checkbox"/> BLACK
CLUTCH SPRING _____	CLUTCH BELL GAP _____ mm

FLEX CONFIGURATION	
CHASSIS STIFFENER <input type="checkbox"/> YES <input type="checkbox"/> NO	FLEX <input type="checkbox"/> YES <input type="checkbox"/> NO

AERODYNAMIC CONFIGURATION	
BODY BRAND _____	BODY POSITION _____ mm
BODY TYPE _____	
REAR DIFFUSER <input type="checkbox"/> YES <input type="checkbox"/> NO	

REMARKS _____