

DRIVER, TRACK AND RESULTS

DRIVER COUNTRY WEATHER AIR TEMP TRACK TEMP DRY INTERMEDIATE WET

TRACK TRACTION LOW MEDIUM HIGH COMMENTS

RACE DATE QUALY POS. QUALY TIME STARTING POS. FINAL POS.

FRONT	DRIVE TRAIN	REAR
<input type="checkbox"/> GEAR DIFF	cst	<input type="checkbox"/> GEAR DIFF
<input type="checkbox"/> SPOOL		

1ST	SPUR GEARS	2ND
<input type="checkbox"/> 58	<input type="checkbox"/> 59 <input type="checkbox"/> 60	<input type="checkbox"/> 53 <input type="checkbox"/> 54 <input type="checkbox"/> 55

1ST	PINION	2ND
<input type="checkbox"/> 15	<input type="checkbox"/> 16 <input type="checkbox"/> 17	<input type="checkbox"/> 20 <input type="checkbox"/> 21 <input type="checkbox"/> 22

FRONT	SHOCK ABSORBERS	REAR
	cst OIL	cst

SPRINGS

mm REBOUND mm

ANTI-ROLL BARS	
FRONT ANTI-ROLL BAR	mm
REAR ANTI-ROLL BAR	mm

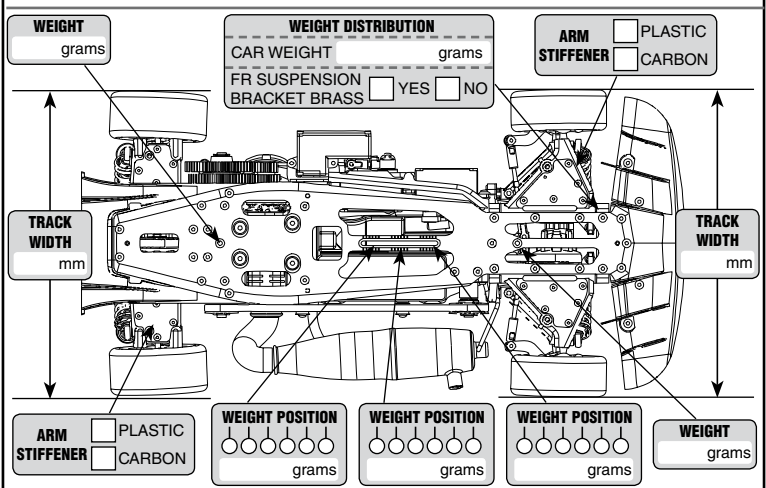
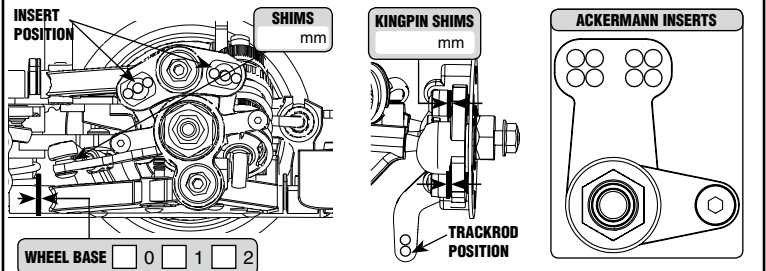
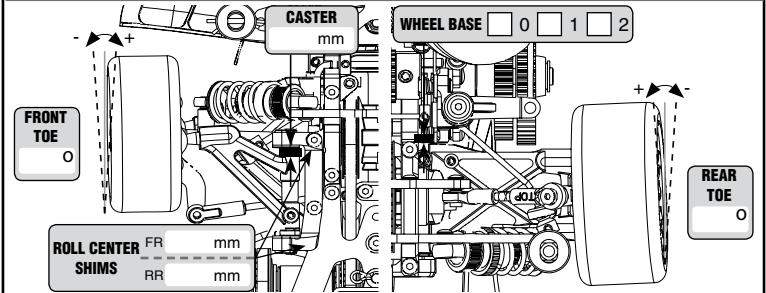
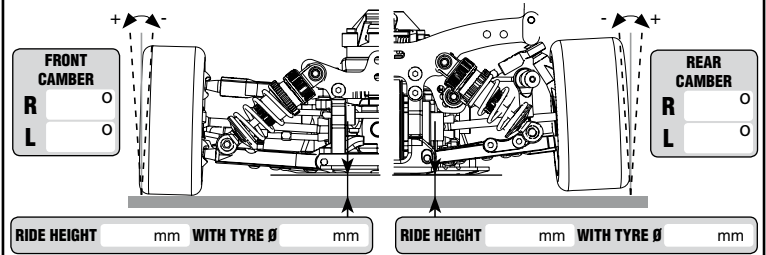
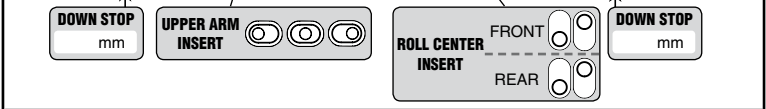
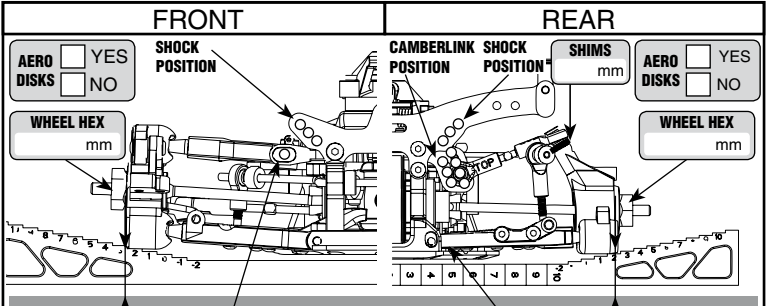
FRONT TYRES	Controlled Tyre <input type="checkbox"/>	REAR
MAKE <input type="text"/>		
SHORE <input type="text"/>		
DIAMETER <input type="text"/>		
5-MIN WEAR <input type="text"/>		

POWER PACK	
ENGINE BRAND	TYPE <input type="text"/>
GLOWPLUG	CARBØ mm HEAD CLEARANCE mm
EXAUSHT PIPE	MANIFOLD <input type="text"/>
FUEL BRAND	NITRO

CLUTCH	
CLUTCH BELL	<input type="checkbox"/> ALU <input type="checkbox"/> STEEL
CLUTCH SHOE	<input type="checkbox"/> RED <input type="checkbox"/> YELLOW <input type="checkbox"/> BLACK
CLUTCH SPRING	CLUTCH BELL GAP mm

FLEX CONFIGURATION	
CHASSIS STIFFENER	FLEX
<input type="checkbox"/> YES <input type="checkbox"/> NO	<input type="checkbox"/> YES <input type="checkbox"/> NO

AERODYNAMIC CONFIGURATION	
BODY BRAND	BODY POSITION mm
BODY TYPE	
REAR DIFFUSER	
<input type="checkbox"/> YES <input type="checkbox"/> NO	



REMARKS