

SET UP



NATRIX 748

1ST		SPUR		2ND	
<input type="checkbox"/> 58	<input type="checkbox"/> 59	<input type="checkbox"/> 60	<input type="checkbox"/> 53	<input type="checkbox"/> 54	<input type="checkbox"/> 55

1ST		PINION		2ND			
<input type="checkbox"/> 15	<input type="checkbox"/> 16	<input type="checkbox"/> 17	<input type="checkbox"/> 18	<input type="checkbox"/> 20	<input type="checkbox"/> 21	<input type="checkbox"/> 22	<input type="checkbox"/> 23

FRONT		DRIVE TRAIN		REAR	
<input type="checkbox"/> GEAR DIFF	cst	<input type="checkbox"/> GEAR DIFF	cst		
<input type="checkbox"/> ONE WAY		<input type="checkbox"/> SOLID			
<input type="checkbox"/> SPOOL					

SHOCK ABSORBERS			
FRONT		REAR	
OIL	cst	OIL	cst
SPRINGS		SPRINGS	
	<input type="radio"/> Open <input type="radio"/> Closed		

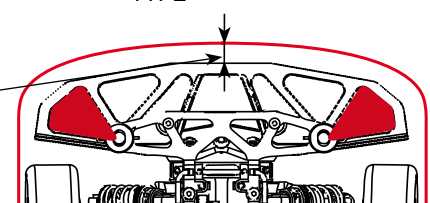
FRONT		ANTI-ROLL BARS			REAR			
<input type="checkbox"/> 1.8	<input type="checkbox"/> 2.2	<input type="checkbox"/> 2.5	<input type="checkbox"/> 2.8	<input type="checkbox"/> 1.6	<input type="checkbox"/> 1.8	<input type="checkbox"/> 2.0	<input type="checkbox"/> 2.2	<input type="checkbox"/> 2.5

FRONT		TYRES		REAR	
RIGHT	LEFT	Controlled Tyre <input type="checkbox"/>		RIGHT	LEFT
		MAKE			
		SHORE			
		DIAMETER			
		5-MIN WEAR			

ENGINE			
ENGINE			
VERSION	HEADSHIMS	mm	
GLOWPLUG	CARB DIA	mm	
PIPE	MANIFOLD		
FUEL	NITRO	%	

CENTAX			
CLUTCHBELL	ALU <input type="checkbox"/>	STEEL <input type="checkbox"/>	
CLUTCHSHOE	YELLOW <input type="checkbox"/>	RED <input type="checkbox"/>	BLACK <input type="checkbox"/>
CLUTCH SPRING		CLUTCH BELL GAP	mm

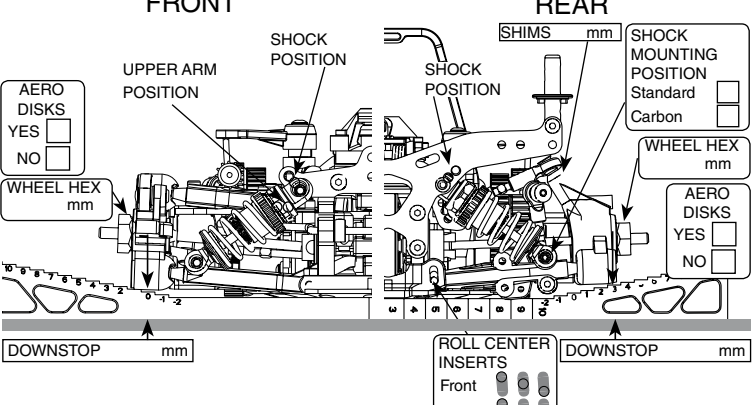
AERODYNAMIC CONFIGURATION	
BODY	
BRAND	TYPE
BODY POSITION	mm
BUMPER HOLES CUT	
<input type="checkbox"/> YES	<input type="checkbox"/> NO



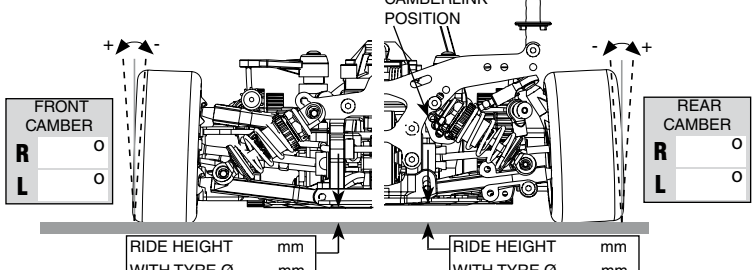
REMARKS	

RACE		DATE	
TRACK		QUALIFYING POSITION	
DRIVER		QUALIFYING TIME	
TRACTION: LOW <input type="checkbox"/> MEDIUM <input type="checkbox"/> HIGH <input type="checkbox"/>		STARTING POSITION	
TRACK TEMP		AIR TEMP	
		FINAL POSITION	

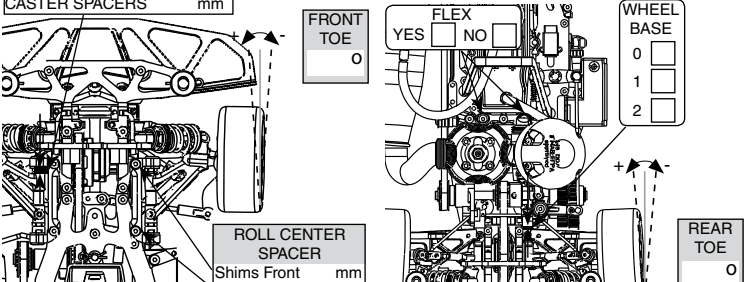
FRONT		REAR	
AERO DISKS YES <input type="checkbox"/> NO <input type="checkbox"/>	UPPER ARM POSITION	SHOCK POSITION	SHOCK POSITION
WHEEL HEX mm		SHOCK MOUNTING POSITION Standard <input type="checkbox"/> Carbon <input type="checkbox"/>	WHEEL HEX mm
		AERO DISKS YES <input type="checkbox"/> NO <input type="checkbox"/>	
DOWNSTOP mm		ROLL CENTER INSERTS Front <input type="checkbox"/> Rear <input type="checkbox"/>	DOWNSTOP mm



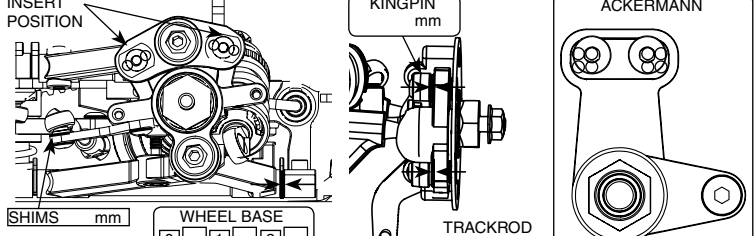
CAMBERLINK POSITION			
FRONT CAMBER R <input type="checkbox"/> L <input type="checkbox"/>			REAR CAMBER R <input type="checkbox"/> L <input type="checkbox"/>
RIDE HEIGHT WITH TYRE Ø mm			RIDE HEIGHT WITH TYRE Ø mm



CASTER SPACERS mm	FRONT TOE <input type="checkbox"/>	FLEX YES <input type="checkbox"/> NO <input type="checkbox"/>	WHEEL BASE 0 <input type="checkbox"/> 1 <input type="checkbox"/> 2 <input type="checkbox"/>
ROLL CENTER SPACER Shims Front mm Shims Rear mm			REAR TOE <input type="checkbox"/>



INSERT POSITION	KINGPIN mm	ACKERMANN
SHIMS mm	WHEEL BASE 0 <input type="checkbox"/> 1 <input type="checkbox"/> 2 <input type="checkbox"/>	TRACKROD POSITION



TOTAL CAR WEIGHT grams	WEIGHT grams	WEIGHT grams			
TRACK WIDTH mm		TRACK WIDTH mm			
WEIGHT grams	WEIGHT POSITION grams	WEIGHT POSITION grams	WEIGHT POSITION grams	WEIGHT POSITION grams	WEIGHT grams

