

DRIVER, TRACK AND RESULTS

DRIVER Greiner Dominic **COUNTRY** France **WEATHER** AIR TEMP 23 TRACK TEMP 25 DRY INTERMEDIATE WET
TRACK Muelhouse **TRACTION** LOW MEDIUM HIGH **COMMENTS**
RACE European Championship **DATE** 12.08.2017 **QUALY POS.** 2 **QUALY TIME** **STARTING POS.** 3 **FINAL POS.** 4

FRONT		DRIVE TRAIN		REAR	
<input type="checkbox"/> GEAR DIFF	2.000.000 cst	<input type="checkbox"/> GEAR DIFF	60.000 cst	<input type="checkbox"/> SPOOL	

1ST		SPUR GEARS		2ND	
<input type="checkbox"/> 58	<input checked="" type="checkbox"/> 59	<input type="checkbox"/> 60		<input type="checkbox"/> 53	<input checked="" type="checkbox"/> 54

1ST		PINION		2ND	
<input type="checkbox"/> 15	<input checked="" type="checkbox"/> 16	<input type="checkbox"/> 17		<input type="checkbox"/> 20	<input checked="" type="checkbox"/> 21

FRONT		SHOCK ABSORBERS		REAR	
900	cst	OIL		900	cst
blue		SPRINGS		pink	
6	mm	REBOUND		6	mm
<input type="checkbox"/>	<input type="checkbox"/>	<input checked="" type="checkbox"/>	<input type="checkbox"/>	<input type="checkbox"/>	<input checked="" type="checkbox"/>

FRONT		ANTI-ROLL BARS		REAR	
<input type="checkbox"/> 1.8	<input type="checkbox"/> 2.2	<input checked="" type="checkbox"/> 2.5	<input type="checkbox"/> 2.8	<input type="checkbox"/> 1.6	<input type="checkbox"/> 1.8
<input type="checkbox"/> 2.0	<input checked="" type="checkbox"/> 2.2	<input type="checkbox"/> 2.5			

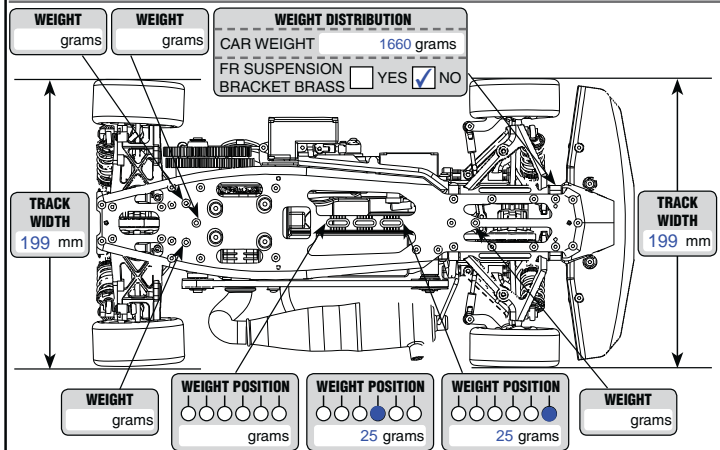
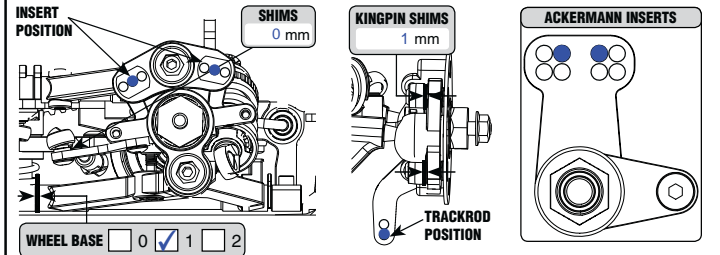
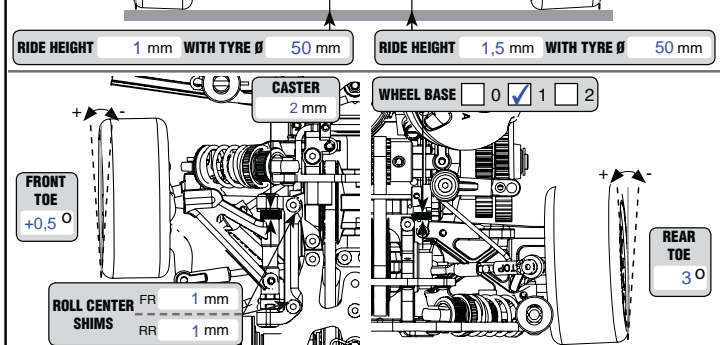
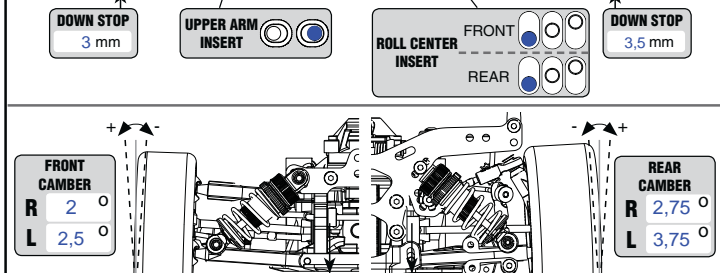
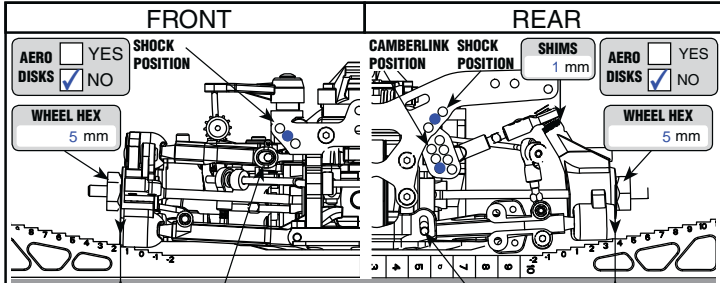
FRONT		TYRES		Controlled Tyre		REAR	
Capricorn		MAKE		Capricorn			
37		SHORE		40			
62		DIAMETER		64			
		5-MIN WEAR					

POWER PACK			
ENGINE			
BRAND	Novarossi	TYPE	Mito WC
GLOWPLUG	TfGB6	CARBØ	mm
HEAD CLEARANCE		mm	
EXAUSHT			
PIPE	2660	MANIFOLD	short
FUEL			
BRAND	Runner Time	NITRO	16

CLUTCH			
CLUTCH BELL	<input checked="" type="checkbox"/> ALU <input type="checkbox"/> STEEL	CLUTCH SHOE	<input type="checkbox"/> RED <input checked="" type="checkbox"/> YELLOW <input type="checkbox"/> BLACK
CLUTCH SPRING	x-hard	CLUTCH BELL GAP	0,5 mm

FLEX CONFIGURATION			
CHASSIS STIFFENER	<input type="checkbox"/> YES <input checked="" type="checkbox"/> NO	FLEX	<input type="checkbox"/> YES <input checked="" type="checkbox"/> NO

AERODYNAMIC CONFIGURATION	
BODY BRAND	SRC
BODY TYPE	Spark
BUMPERS HOLES	<input type="checkbox"/> YES <input checked="" type="checkbox"/> NO
BODY POSITION	10 mm



REMARKS Arrowmax titan screws on the top, setup with arrowmax systems and tools, downstop in real mm