

DRIVER, TRACK AND RESULTS

DRIVER **COUNTRY** **WEATHER** AIR TEMP TRACK TEMP DRY INTERMEDIATE WET
TRACK **TRACTION** LOW MEDIUM HIGH **COMMENTS**
RACE **DATE** **QUALY POS.** **QUALY TIME** **STARTING POS.** **FINAL POS.**

FRONT	DRIVE TRAIN	REAR
<input checked="" type="checkbox"/> GEAR DIFF <input type="text" value="2.5million"/> cst	GEAR DIFF <input type="text" value="60,000"/> cst	
<input type="checkbox"/> SPOOL		

1ST	SPUR GEARS	2ND
<input type="checkbox"/> 58 <input type="checkbox"/> 59 <input checked="" type="checkbox"/> 60	<input checked="" type="checkbox"/> 53 <input type="checkbox"/> 54 <input type="checkbox"/> 55	

1ST	PINION	2ND
<input type="checkbox"/> 15 <input checked="" type="checkbox"/> 16 <input type="checkbox"/> 17	<input type="checkbox"/> 20 <input checked="" type="checkbox"/> 21 <input type="checkbox"/> 22	

FRONT	SHOCK ABSORBERS	REAR
<input type="text" value="AE 725"/> cst	<input type="text" value="OIL"/>	<input type="text" value="AE 725"/> cst
<input type="text" value="Blue"/>	<input type="text" value="SPRINGS"/>	<input type="text" value="Pink"/>
mm REBOUND		
<input type="checkbox"/> <input type="checkbox"/> <input checked="" type="checkbox"/> <input type="checkbox"/>	<input type="checkbox"/> <input type="checkbox"/> <input checked="" type="checkbox"/> <input type="checkbox"/>	<input type="checkbox"/> <input type="checkbox"/> <input checked="" type="checkbox"/> <input type="checkbox"/>

FRONT	ANTI-ROLL BARS	REAR
<input type="checkbox"/> 1.8 <input type="checkbox"/> 2.2 <input type="checkbox"/> 2.5 <input checked="" type="checkbox"/> 2.8	<input type="checkbox"/> 1.6 <input type="checkbox"/> 1.8 <input checked="" type="checkbox"/> 2.0 <input type="checkbox"/> 2.2 <input type="checkbox"/> 2.5	

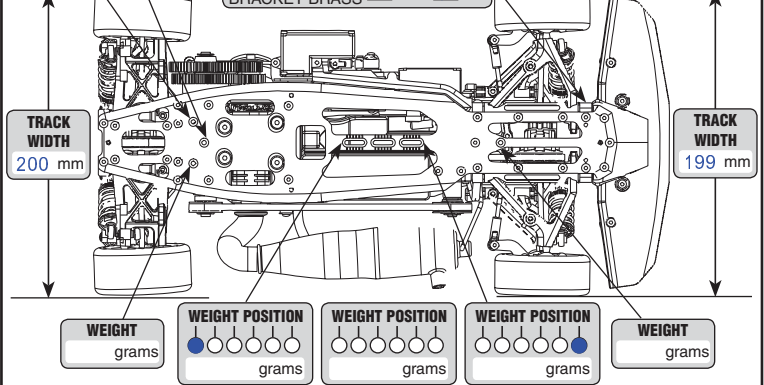
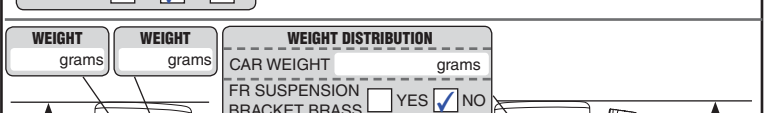
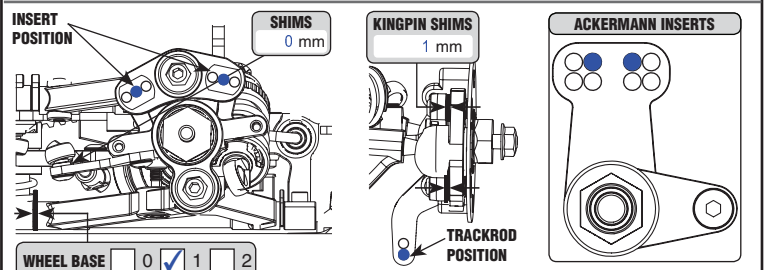
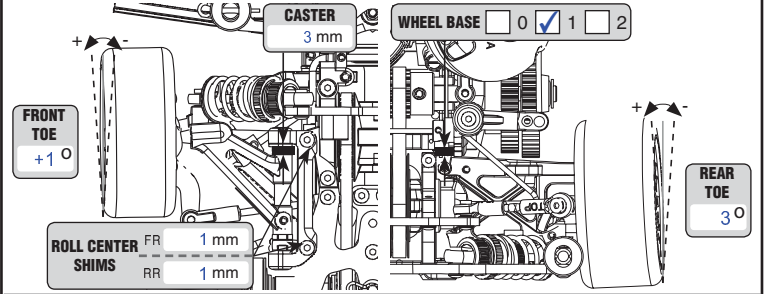
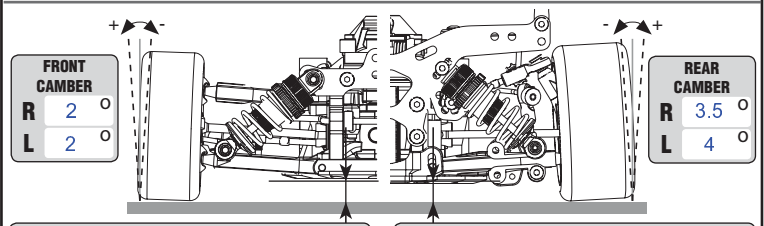
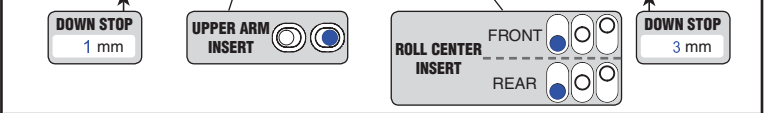
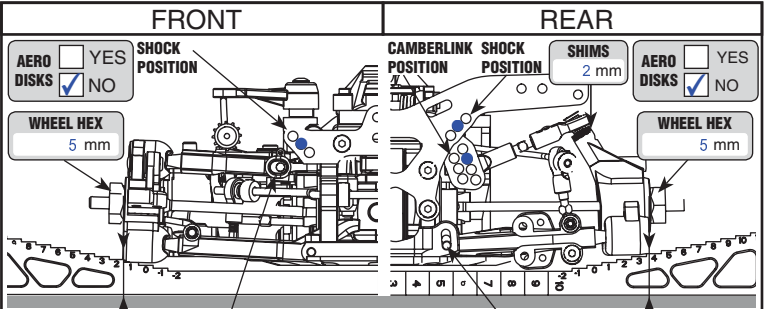
FRONT	TYRES	Controlled Tyre	REAR
<input type="text" value="ENS"/>	<input type="text" value="MAKE"/>	<input checked="" type="checkbox"/>	<input type="text" value="ENS"/>
<input type="text" value="SHORE"/>			
<input type="text" value="DIAMETER"/>			
<input type="text" value="5-MIN WEAR"/>			

POWER PACK	
ENGINE	EXHAUST
BRAND <input type="text" value="XRD"/> TYPE <input type="text" value="FT Line"/>	PIPE <input type="text" value="XRD 2681"/> MANIFOLD <input type="text" value="XRD 6"/>
GLOWPLUG <input type="text" value="XRD 6"/> CARB Ø <input type="text" value="std"/> mm HEAD CLEARANCE <input type="text" value="std"/> mm	FUEL
	BRAND <input type="text" value="RunnerTime"/> NITRO <input type="text" value="16%"/>

CLUTCH	
CLUTCH BELL <input checked="" type="checkbox"/> ALU <input type="checkbox"/> STEEL	CLUTCH SHOE <input type="checkbox"/> RED <input checked="" type="checkbox"/> YELLOW <input type="checkbox"/> BLACK
CLUTCH SPRING <input type="text" value="Xhard"/>	CLUTCH BELL GAP <input type="text" value=".6"/> mm

FLEX CONFIGURATION	
CHASSIS STIFFENER <input checked="" type="checkbox"/> YES <input type="checkbox"/> NO	FLEX <input type="checkbox"/> YES <input checked="" type="checkbox"/> NO

AERODYNAMIC CONFIGURATION	
BODY BRAND <input type="text" value="PF"/>	BODY POSITION <input type="text" value="mm"/>
BODY TYPE <input type="text" value="P47"/>	
BUMPERS HOLES <input type="checkbox"/> YES <input checked="" type="checkbox"/> NO	



REMARKS