

DRIVER, TRACK AND RESULTS

DRIVER Paolo Morganti **COUNTRY** usa **WEATHER** AIR TEMP TRACK TEMP DRY INTERMEDIATE WET
TRACK Fullthrottle **TRACTION** LOW MEDIUM HIGH **COMMENTS** REALLY HIGH GRIP
RACE US NITRO CUP **DATE** 11-12-2016 **QUALY POS.** 4th **QUALY TIME** **STARTING POS.** **FINAL POS.** 1st

FRONT		DRIVE TRAIN		REAR	
<input checked="" type="checkbox"/>	GEAR DIFF	<u>2.5M</u>	cst	GEAR DIFF	<u>80K</u> cst
<input type="checkbox"/> SPOOL					

1ST		SPUR GEARS		2ND	
<input type="checkbox"/>	58	<input type="checkbox"/>	59	<input checked="" type="checkbox"/>	53
<input type="checkbox"/>	60	<input type="checkbox"/>	54	<input type="checkbox"/>	55

1ST		PINION		2ND	
<input type="checkbox"/>	15	<input type="checkbox"/>	16	<input checked="" type="checkbox"/>	17
<input type="checkbox"/>	20	<input checked="" type="checkbox"/>	21	<input type="checkbox"/>	22

FRONT		SHOCK ABSORBERS		REAR	
<u>1200</u>	cst	OIL	<u>800</u>	cst	
<u>red</u>	SPRINGS		<u>red</u>		

FRONT		REBOUND		REAR	
<u>4</u>	mm	<u>4</u>	mm		
<input type="checkbox"/>	<input type="checkbox"/>	<input checked="" type="checkbox"/>	<input type="checkbox"/>	<input type="checkbox"/>	<input checked="" type="checkbox"/>

FRONT		ANTI-ROLL BARS		REAR	
<input type="checkbox"/>	1.8	<input type="checkbox"/>	2.2	<input checked="" type="checkbox"/>	2.5
<input type="checkbox"/>	2.8	<input type="checkbox"/>	1.6	<input type="checkbox"/>	1.8
<input type="checkbox"/>	2.0	<input checked="" type="checkbox"/>	2.0	<input type="checkbox"/>	2.2
<input type="checkbox"/>	2.5	<input type="checkbox"/>	2.5	<input type="checkbox"/>	2.5

FRONT		TYRES		REAR	
<u>Matrix</u>	MAKE	<u>Matrix</u>	MAKE		
<u>35</u>	SHORE	<u>40</u>	SHORE		
DIAMETER		DIAMETER			
5-MIN WEAR		5-MIN WEAR			

POWER PACK

ENGINE	
BRAND	TYPE
GLOWPLUG	CARBØ mm HEAD CLEARANCE mm
EXAUSHT	
PIPE	MANIFOLD
FUEL	
BRAND	NITRO

CLUTCH

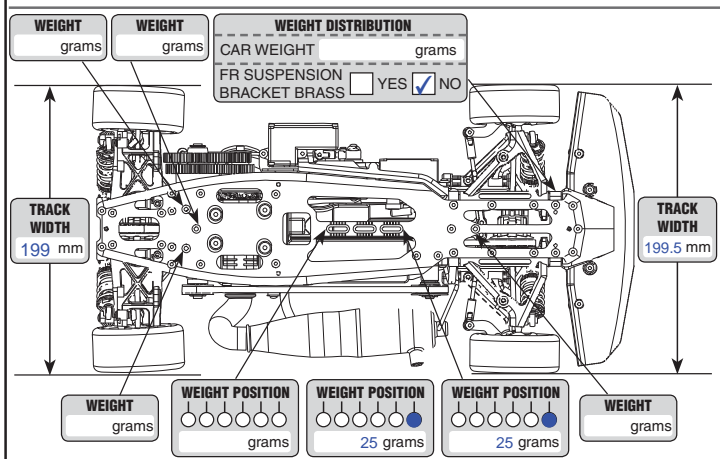
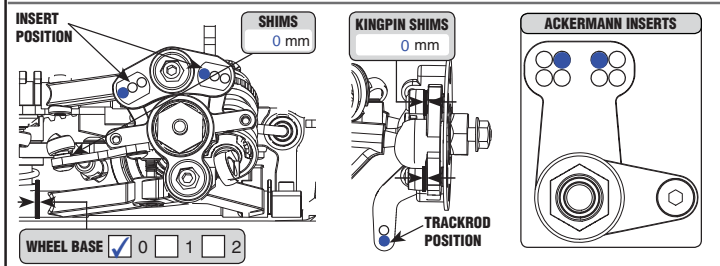
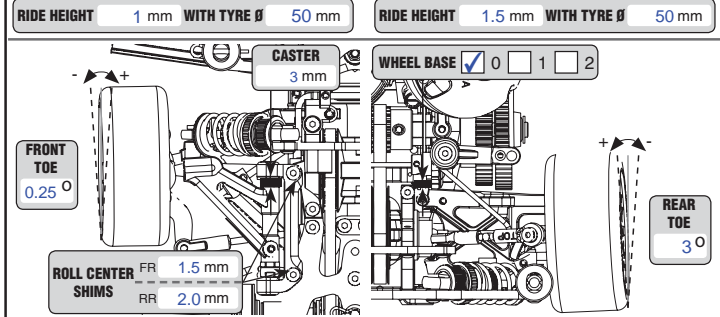
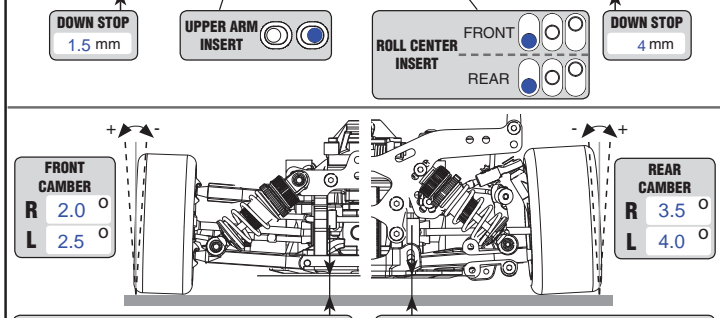
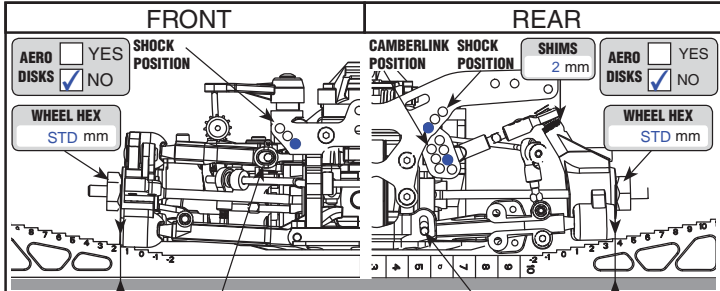
CLUTCH BELL <input checked="" type="checkbox"/> ALU <input type="checkbox"/> STEEL	CLUTCH SHOE <input type="checkbox"/> RED <input checked="" type="checkbox"/> YELLOW <input type="checkbox"/> BLACK
CLUTCH SPRING <u>STD</u>	CLUTCH BELL GAP <u>0.5</u> mm

FLEX CONFIGURATION

CHASSIS STIFFENER <input checked="" type="checkbox"/> YES <input type="checkbox"/> NO	FLEX <input type="checkbox"/> YES <input checked="" type="checkbox"/> NO
---	--

AERODYNAMIC CONFIGURATION

BODY BRAND <u>XTREME</u>	BODY POSITION <u>8</u> mm
BODY TYPE <u>PROTOTYPE</u>	
BUMPERS HOLES <input checked="" type="checkbox"/> YES <input type="checkbox"/> NO	



REMARKS