

DRIVER, TRACK AND RESULTS

DRIVER _____ COUNTRY _____ WEATHER AIR TEMP _____ TRACK TEMP _____ DRY INTERMEDIATE WET

TRACK _____ TRACTION LOW MEDIUM HIGH COMMENTS _____

RACE _____ DATE _____ QUALY POS. _____ QUALY TIME _____ STARTING POS. _____ FINAL POS. _____

FRONT	DRIVE TRAIN	REAR
<input type="checkbox"/> GEAR DIFF	cst	GEAR DIFF
<input type="checkbox"/> SPOOL		cst

1ST	SPUR GEARS	2ND
<input type="checkbox"/> 58	<input type="checkbox"/> 59 <input type="checkbox"/> 60	<input type="checkbox"/> 53 <input type="checkbox"/> 54 <input type="checkbox"/> 55

1ST	PINION	2ND
<input type="checkbox"/> 15	<input type="checkbox"/> 16 <input type="checkbox"/> 17	<input type="checkbox"/> 20 <input type="checkbox"/> 21 <input type="checkbox"/> 22

FRONT	SHOCK ABSORBERS	REAR
	cst OIL	cst

SPRINGS	
	mm REBOUND

<input type="checkbox"/>	<input type="checkbox"/>	<input type="checkbox"/>	<input type="checkbox"/>	<input type="checkbox"/>	<input type="checkbox"/>	<input type="checkbox"/>	<input type="checkbox"/>
--------------------------	--------------------------	--------------------------	--------------------------	--------------------------	--------------------------	--------------------------	--------------------------

FRONT	ANTI-ROLL BARS	REAR
<input type="checkbox"/> 1.8	<input type="checkbox"/> 2.2 <input type="checkbox"/> 2.5 <input type="checkbox"/> 2.8	<input type="checkbox"/> 1.6 <input type="checkbox"/> 1.8 <input type="checkbox"/> 2.0 <input type="checkbox"/> 2.2 <input type="checkbox"/> 2.5

FRONT	TYRES	Controlled Tyre	REAR
	MAKE	<input type="checkbox"/>	

	SHORE
	DIAMETER
	5-MIN WEAR

POWER PACK

ENGINE	
BRAND	TYPE
GLOWPLUG	CARBØ mm HEAD CLEARANCE mm

EXAUSHT	
PIPE	MANIFOLD

FUEL	
BRAND	NITRO

CLUTCH

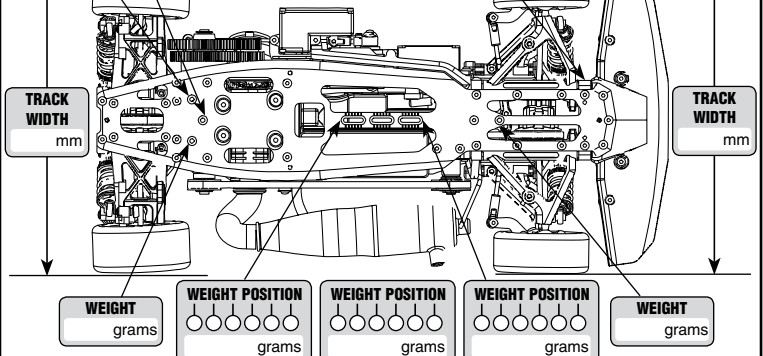
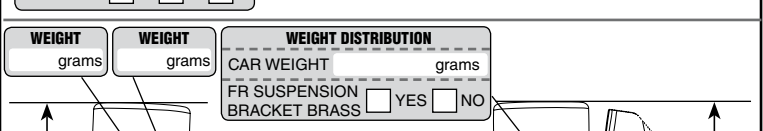
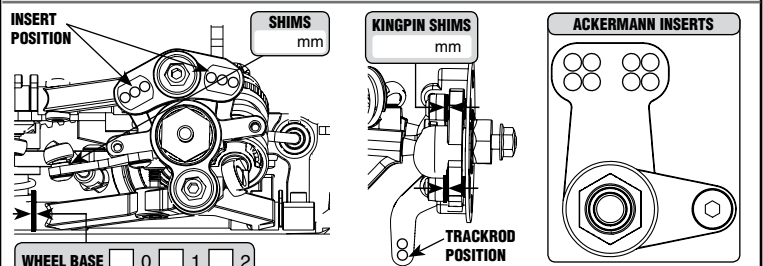
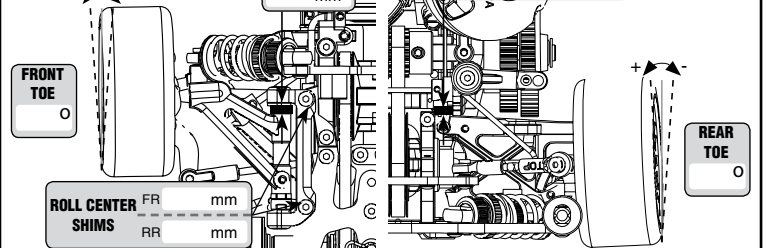
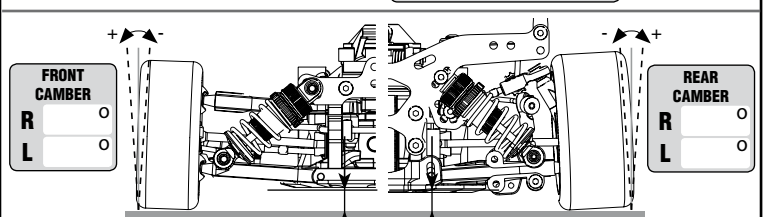
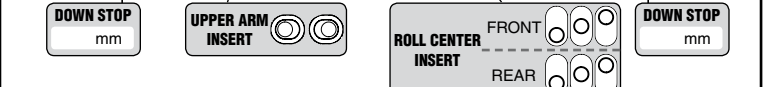
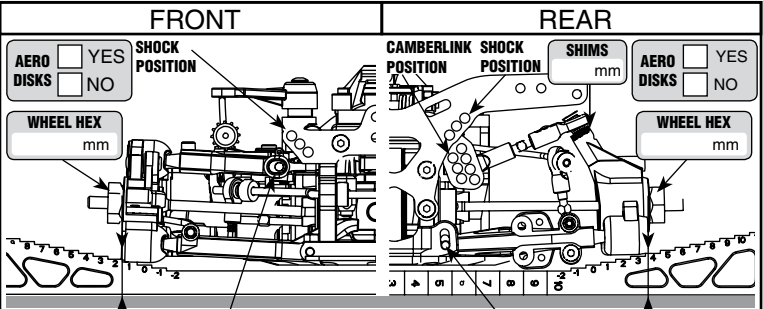
CLUTCH BELL	<input type="checkbox"/> ALU <input type="checkbox"/> STEEL	CLUTCH SHOE	<input type="checkbox"/> RED <input type="checkbox"/> YELLOW <input type="checkbox"/> BLACK
CLUTCH SPRING		CLUTCH BELL GAP	mm

FLEX CONFIGURATION

CHASSIS STIFFENER	FLEX
<input type="checkbox"/> YES <input type="checkbox"/> NO	<input type="checkbox"/> YES <input type="checkbox"/> NO

AERODYNAMIC CONFIGURATION

BODY BRAND	BODY POSITION mm
BODY TYPE	
BUMPERS HOLES	
<input type="checkbox"/> YES <input type="checkbox"/> NO	



REMARKS _____