

DRIVER, TRACK AND RESULTS

DRIVER _____ COUNTRY _____ WEATHER AIR TEMP _____ TRACK TEMP _____ DRY INTERMEDIATE WET

TRACK _____ TRACTION LOW MEDIUM HIGH COMMENTS _____

RACE _____ DATE _____ QUALY POS. _____ QUALY TIME _____ STARTING POS. _____ FINAL POS. _____

FRONT	DRIVE TRAIN	REAR
<input type="checkbox"/> GEAR DIFF	cst	GEAR DIFF
<input type="checkbox"/> SPOOL		cst

1ST	SPUR GEARS	2ND
<input type="checkbox"/> 58	<input type="checkbox"/> 59 <input type="checkbox"/> 60	<input type="checkbox"/> 53 <input type="checkbox"/> 54 <input type="checkbox"/> 55

1ST	PINION	2ND
<input type="checkbox"/> 15	<input type="checkbox"/> 16 <input type="checkbox"/> 17	<input type="checkbox"/> 20 <input type="checkbox"/> 21 <input type="checkbox"/> 22

FRONT	SHOCK ABSORBERS	REAR
	cst OIL	cst

SPRINGS

mm REBOUND

FRONT	ANTI-ROLL BARS	REAR
<input type="checkbox"/> 1.8 <input type="checkbox"/> 2.2 <input type="checkbox"/> 2.5 <input type="checkbox"/> 2.8	<input type="checkbox"/> 1.6 <input type="checkbox"/> 1.8 <input type="checkbox"/> 2.0 <input type="checkbox"/> 2.2 <input type="checkbox"/> 2.5	

FRONT	TYRES	Controlled Tyre	REAR
-------	-------	-----------------	------

MAKE _____

SHORE _____

DIAMETER _____

5-MIN WEAR _____

POWER PACK

ENGINE

BRAND _____ TYPE _____

GLOWPLUG _____ CARBØ _____ mm HEAD CLEARANCE _____ mm

EXAUSHT

PIPE _____ MANIFOLD _____

FUEL

BRAND _____ NITRO _____

CLUTCH

CLUTCH BELL ALU STEEL CLUTCH SHOE RED YELLOW BLACK

CLUTCH SPRING _____ CLUTCH BELL GAP _____ mm

FLEX CONFIGURATION

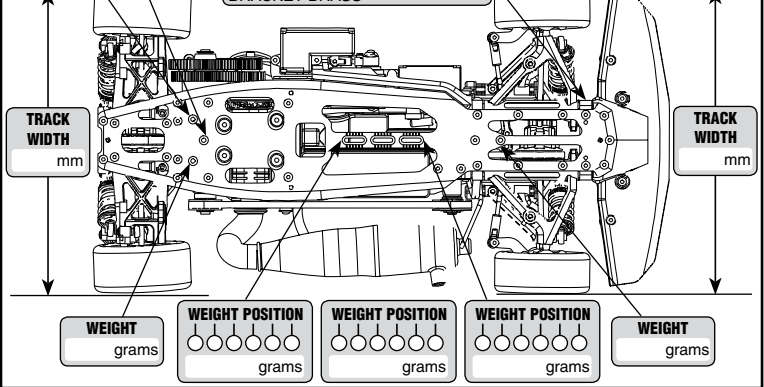
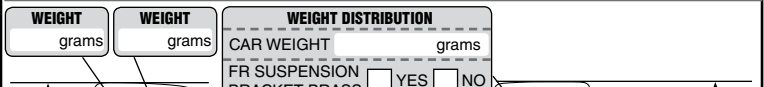
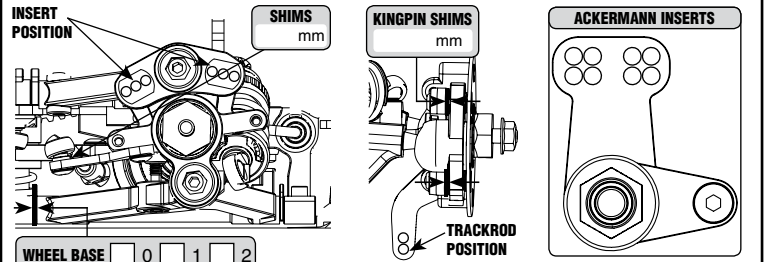
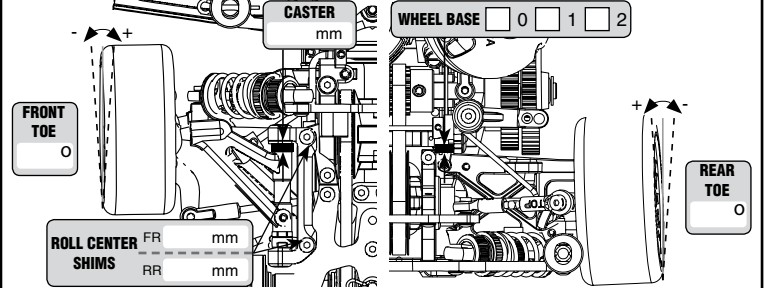
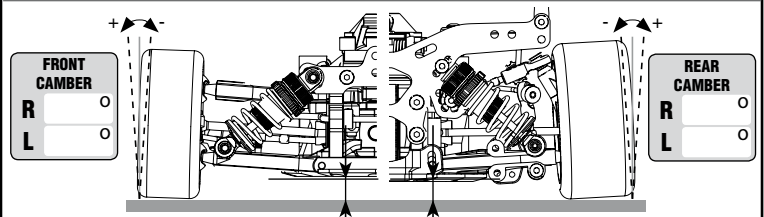
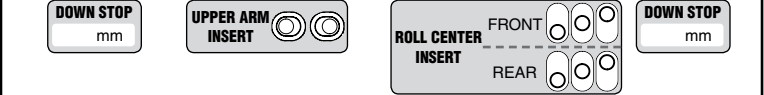
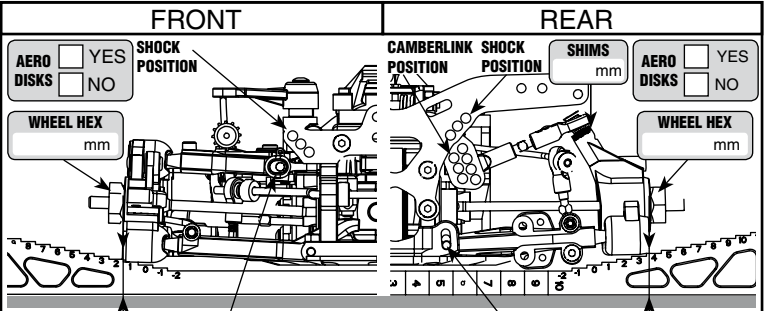
CHASSIS STIFFENER YES NO FLEX YES NO

AERODYNAMIC CONFIGURATION

BODY BRAND _____ BODY POSITION _____ mm

BODY TYPE _____

BUMPERS HOLES YES NO



REMARKS _____