

DRIVER, TRACK AND RESULTS

DRIVER COUNTRY WEATHER AIR TEMP TRACK TEMP DRY INTERMEDIATE WET

TRACK TRACTION LOW MEDIUM HIGH COMMENTS

RACE DATE QUALY POS. QUALY TIME STARTING POS. FINAL POS.

FRONT	DRIVE TRAIN	REAR
<input type="checkbox"/> GEAR DIFF	cst	<input type="checkbox"/> GEAR DIFF
<input type="checkbox"/> SPOOL		

1ST	SPUR GEARS	2ND
<input type="checkbox"/> 58	<input type="checkbox"/> 59 <input type="checkbox"/> 60	<input type="checkbox"/> 53 <input type="checkbox"/> 54 <input type="checkbox"/> 55

1ST	PINION	2ND
<input type="checkbox"/> 15	<input type="checkbox"/> 16 <input type="checkbox"/> 17	<input type="checkbox"/> 20 <input type="checkbox"/> 21 <input type="checkbox"/> 22

FRONT	SHOCK ABSORBERS	REAR
	cst OIL	cst

SPRINGS

mm REBOUND

FRONT	ANTI-ROLL BARS	REAR
<input type="checkbox"/> 1.8 <input type="checkbox"/> 2.2 <input type="checkbox"/> 2.5 <input type="checkbox"/> 2.8	<input type="checkbox"/> 1.6 <input type="checkbox"/> 1.8 <input type="checkbox"/> 2.0 <input type="checkbox"/> 2.2 <input type="checkbox"/> 2.5	

FRONT	TYRES	Controlled Tyre	REAR
-------	-------	-----------------	------

MAKE

SHORE

DIAMETER

5-MIN WEAR

POWER PACK

ENGINE

BRAND TYPE

GLOWPLUG CARBØ mm HEAD CLEARANCE mm

EXAUSHT

PIPE MANIFOLD

FUEL

BRAND NITRO

CLUTCH

CLUTCH BELL ALU STEEL

CLUTCH SHOE RED YELLOW BLACK

CLUTCH SPRING CLUTCH BELL GAP mm

FLEX CONFIGURATION

CHASSIS STIFFENER YES NO

FLEX YES NO

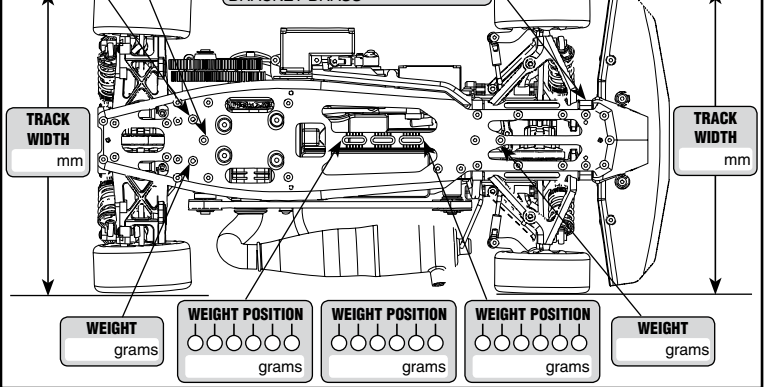
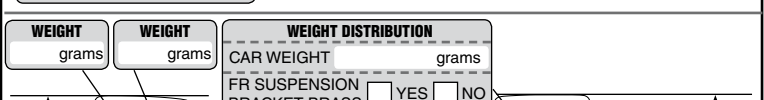
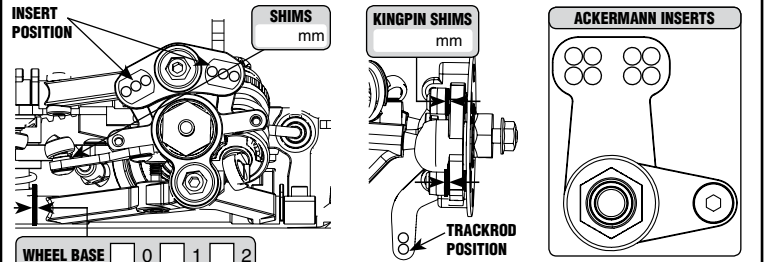
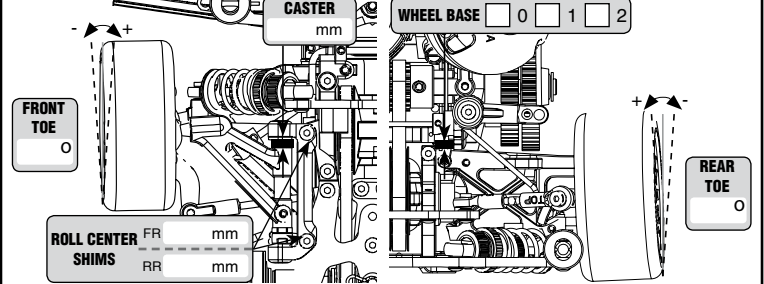
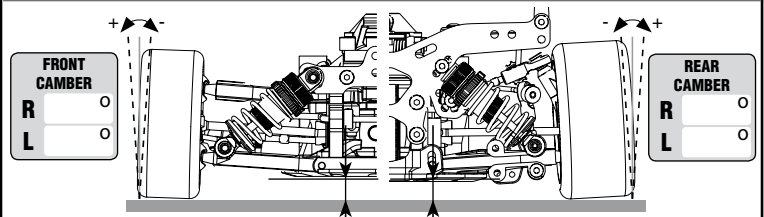
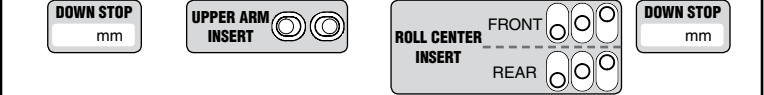
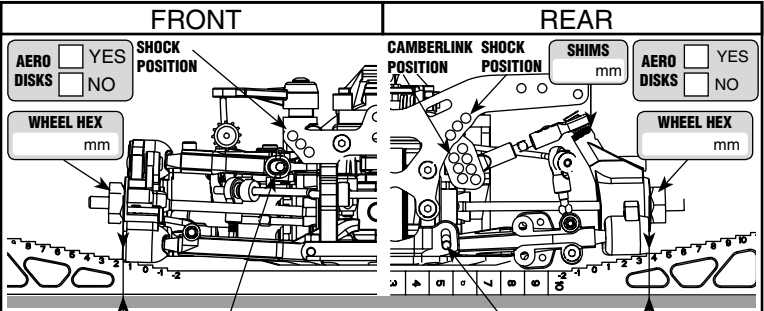
AERODYNAMIC CONFIGURATION

BODY BRAND

BODY TYPE

BUMPERS HOLES YES NO

BODY POSITION mm



REMARKS