

DRIVER, TRACK AND RESULTS

DRIVER _____ COUNTRY _____ WEATHER AIR TEMP _____ TRACK TEMP _____ DRY INTERMEDIATE WET

TRACK _____ TRACTION LOW MEDIUM HIGH COMMENTS _____

RACE _____ DATE _____ QUALY POS. _____ QUALY TIME _____ STARTING POS. _____ FINAL POS. _____

FRONT	DRIVE TRAIN	REAR
<input type="checkbox"/> GEAR DIFF	cst	<input type="checkbox"/> GEAR DIFF
<input type="checkbox"/> SPOOL		

1ST	SPUR GEARS	2ND
<input type="checkbox"/> 58	<input type="checkbox"/> 59 <input type="checkbox"/> 60	<input type="checkbox"/> 53 <input type="checkbox"/> 54 <input type="checkbox"/> 55

1ST	PINION	2ND
<input type="checkbox"/> 15	<input type="checkbox"/> 16 <input type="checkbox"/> 17	<input type="checkbox"/> 20 <input type="checkbox"/> 21 <input type="checkbox"/> 22

FRONT	SHOCK ABSORBERS	REAR
	cst OIL	cst

SPRINGS	
	mm REBOUND

<input type="checkbox"/>	<input type="checkbox"/>	<input type="checkbox"/>	<input type="checkbox"/>	<input type="checkbox"/>	<input type="checkbox"/>	<input type="checkbox"/>	<input type="checkbox"/>
--------------------------	--------------------------	--------------------------	--------------------------	--------------------------	--------------------------	--------------------------	--------------------------

FRONT	ANTI-ROLL BARS	REAR
<input type="checkbox"/> 1.8	<input type="checkbox"/> 2.2 <input type="checkbox"/> 2.5 <input type="checkbox"/> 2.8	<input type="checkbox"/> 1.6 <input type="checkbox"/> 1.8 <input type="checkbox"/> 2.0 <input type="checkbox"/> 2.2 <input type="checkbox"/> 2.5

FRONT	TYRES	Controlled Tyre	REAR
	MAKE	<input type="checkbox"/>	

SHORE _____

DIAMETER _____

5-MIN WEAR _____

POWER PACK

ENGINE
BRAND _____ TYPE _____
GLOWPLUG _____ CARBØ _____ mm HEAD CLEARANCE _____ mm

EXAUSHT
PIPE _____ MANIFOLD _____

FUEL
BRAND _____ NITRO _____

CLUTCH

CLUTCH BELL <input type="checkbox"/> ALU <input type="checkbox"/> STEEL	CLUTCH SHOE <input type="checkbox"/> RED <input type="checkbox"/> YELLOW <input type="checkbox"/> BLACK
CLUTCH SPRING _____	CLUTCH BELL GAP _____ mm

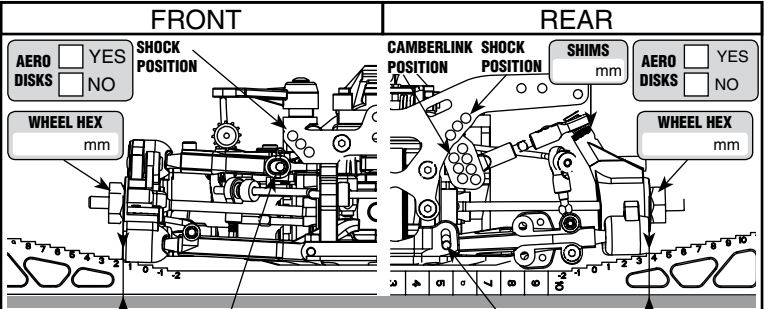
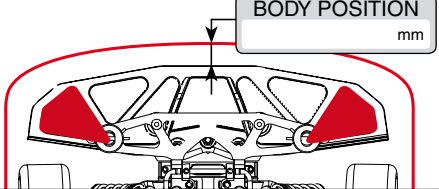
FLEX CONFIGURATION

CHASSIS STIFFENER	FLEX
<input type="checkbox"/> YES <input type="checkbox"/> NO	<input type="checkbox"/> YES <input type="checkbox"/> NO

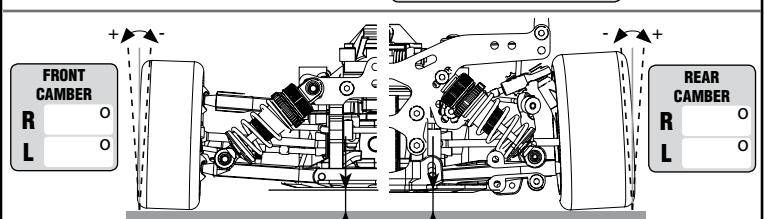
AERODYNAMIC CONFIGURATION

BODY BRAND _____	BODY POSITION _____ mm
BODY TYPE _____	

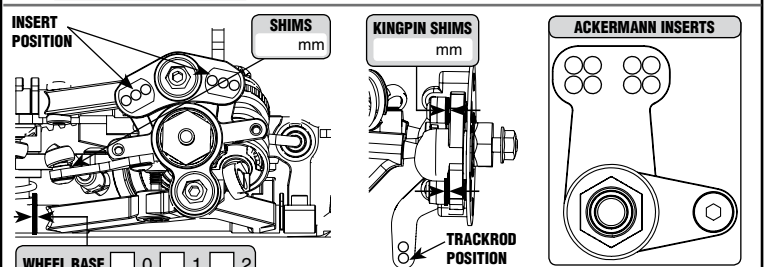
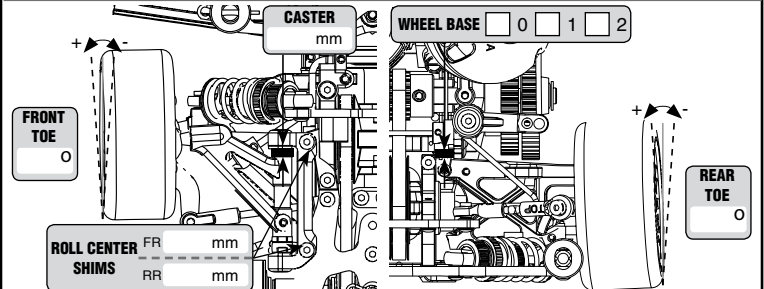
BUMPERS HOLES <input type="checkbox"/> YES <input type="checkbox"/> NO
--



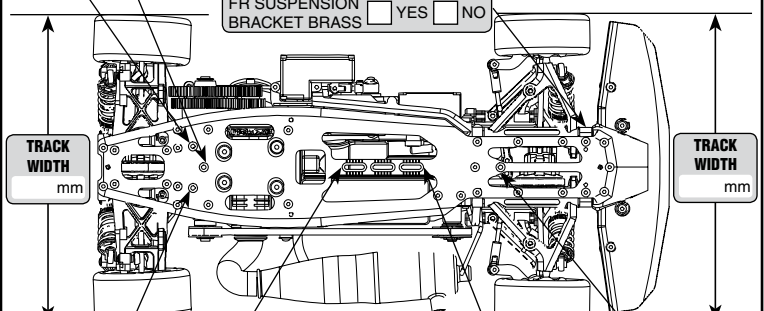
DOWN STOP mm	UPPER ARM INSERT	ROLL CENTER INSERT FRONT	ROLL CENTER INSERT REAR	DOWN STOP mm
--------------	------------------	--------------------------	-------------------------	--------------



RIDE HEIGHT mm WITH TYRE Ø	RIDE HEIGHT mm WITH TYRE Ø
----------------------------	----------------------------



WHEEL BASE <input type="checkbox"/> 0 <input type="checkbox"/> 1 <input type="checkbox"/> 2



WEIGHT grams	WEIGHT POSITION grams	WEIGHT POSITION grams	WEIGHT POSITION grams	WEIGHT POSITION grams	WEIGHT grams
--------------	-----------------------	-----------------------	-----------------------	-----------------------	--------------

REMARKS _____