

DRIVER, TRACK AND RESULTS

DRIVER **Julius Kolff** COUNTRY **Uae** WEATHER AIR TEMP **25** TRACK TEMP **25** DRY INTERMEDIATE WET

TRACK **Binona rc** TRACTION LOW MEDIUM HIGH COMMENTS

RACE **Test day** DATE **16-1-2018** QUALY POS. QUALY TIME **15.5 laptime** STARTING POS. FINAL POS.

FRONT	DRIVE TRAIN	REAR
<input checked="" type="checkbox"/> GEAR DIFF 2,500000 cst	GEAR DIFF 80000 cst	
<input type="checkbox"/> SPOOL		

1ST	SPUR GEARS	2ND
<input type="checkbox"/> 58 <input type="checkbox"/> 59 <input checked="" type="checkbox"/> 60	<input type="checkbox"/> 53 <input checked="" type="checkbox"/> 54 <input type="checkbox"/> 55	

1ST	PINION	2ND
<input type="checkbox"/> 15 <input checked="" type="checkbox"/> 16 <input type="checkbox"/> 17	<input type="checkbox"/> 20 <input checked="" type="checkbox"/> 21 <input type="checkbox"/> 22	

FRONT	SHOCK ABSORBERS	REAR
800 cst	OIL	800 cst
Pink	SPRINGS	Red

mm REBOUND		mm	
<input type="checkbox"/>	<input type="checkbox"/>	<input checked="" type="checkbox"/>	<input type="checkbox"/>
<input type="checkbox"/>	<input type="checkbox"/>	<input checked="" type="checkbox"/>	<input type="checkbox"/>

FRONT	ANTI-ROLL BARS	REAR
<input type="checkbox"/> 1.8 <input type="checkbox"/> 2.2 <input checked="" type="checkbox"/> 2.5 <input type="checkbox"/> 2.8	<input type="checkbox"/> 1.6 <input type="checkbox"/> 1.8 <input checked="" type="checkbox"/> 2.0 <input type="checkbox"/> 2.2 <input type="checkbox"/> 2.5	

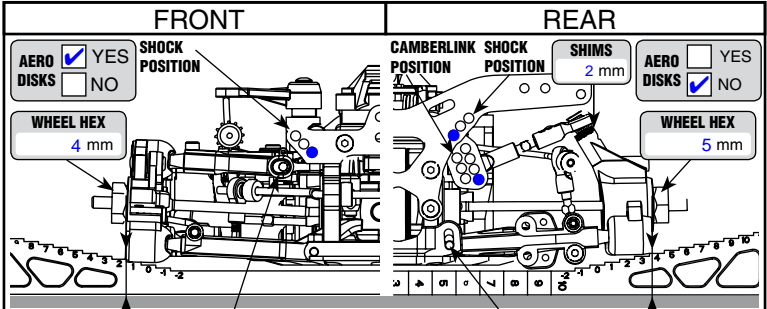
FRONT	TYRES	Controlled Tyre	REAR
Capricorn	MAKE	<input checked="" type="checkbox"/>	Capricorn
37	SHORE		40
62	DIAMETER		64
5-MIN WEAR			

POWER PACK			
ENGINE			
BRAND Novarossi	TYPE Sturm		
GLOWPLUG 6	CARBØ 5,4 mm	HEAD CLEARANCE Std mm	
EXAUST			
PIPE Hipex low noise	MANIFOLD Hipex low noise		
FUEL			
BRAND Byron	NITRO 25		

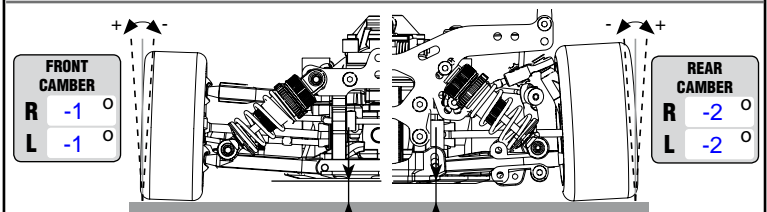
CLUTCH	
CLUTCH BELL <input checked="" type="checkbox"/> ALU <input type="checkbox"/> STEEL	CLUTCH SHOE <input type="checkbox"/> RED <input checked="" type="checkbox"/> YELLOW <input type="checkbox"/> BLACK
CLUTCH SPRING X hard serpent CLUTCH BELL GAP 0,5 mm	

FLEX CONFIGURATION	
CHASSIS STIFFENER <input checked="" type="checkbox"/> YES <input type="checkbox"/> NO	FLEX <input type="checkbox"/> YES <input checked="" type="checkbox"/> NO

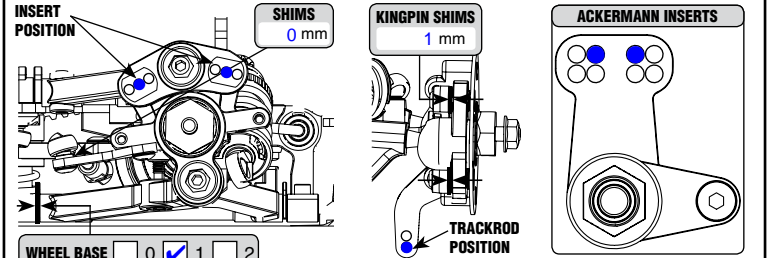
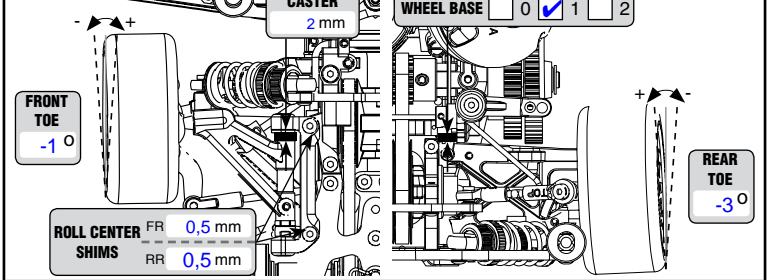
AERODYNAMIC CONFIGURATION	
BODY BRAND Src	BODY POSITION 6 mm
BODY TYPE Spark	
BUMPERS HOLES <input type="checkbox"/> YES <input checked="" type="checkbox"/> NO	



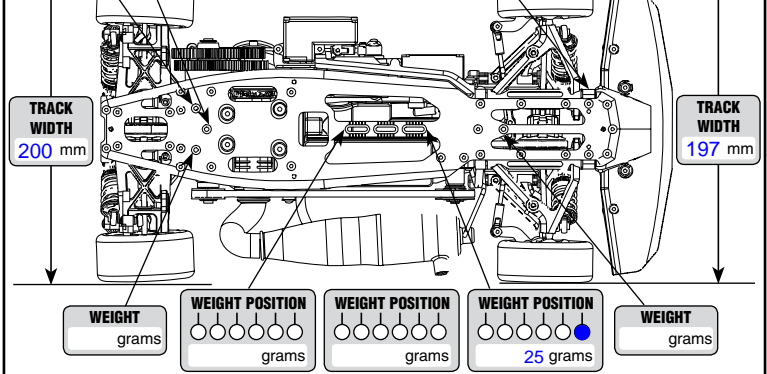
DOWN STOP 1 mm	UPPER ARM INSERT	ROLL CENTER INSERT FRONT <input type="checkbox"/> REAR <input checked="" type="checkbox"/>	DOWN STOP 4 mm
-----------------------	------------------	--	-----------------------



RIDE HEIGHT 7 mm WITH TYRE Ø 62 mm	RIDE HEIGHT 7,5 mm WITH TYRE Ø 64 mm
--	--



WEIGHT grams	WEIGHT grams	WEIGHT DISTRIBUTION
		CAR WEIGHT 1680 grams
		FR SUSPENSION BRACKET BRASS <input type="checkbox"/> YES <input checked="" type="checkbox"/> NO



REMARKS **Very good in evening conditions. Using a protoform P47N makes the car easier with a hint of understeer.**