

DRIVER, TRACK AND RESULTS

DRIVER **Julius Kolff** COUNTRY **Uae** WEATHER AIR TEMP **37** TRACK TEMP **55** DRY INTERMEDIATE WET

TRACK **Binona rc** TRACTION LOW MEDIUM HIGH COMMENTS

RACE **UAE national #6** DATE **13-4-2018** QUALY POS. **1** QUALY TIME **191 5:04** STARTING POS. **1** FINAL POS. **1**

FRONT	DRIVE TRAIN	REAR
<input checked="" type="checkbox"/> GEAR DIFF 2,500000 cst	GEAR DIFF 100000 cst	
<input type="checkbox"/> SPOOL		

1ST	SPUR GEARS	2ND
<input type="checkbox"/> 58 <input type="checkbox"/> 59 <input checked="" type="checkbox"/> 60	<input type="checkbox"/> 53 <input type="checkbox"/> 54 <input checked="" type="checkbox"/> 55	

1ST	PINION	2ND
<input type="checkbox"/> 15 <input checked="" type="checkbox"/> 16 <input type="checkbox"/> 17	<input type="checkbox"/> 20 <input checked="" type="checkbox"/> 21 <input type="checkbox"/> 22	

FRONT	SHOCK ABSORBERS	REAR
800 cst OIL	800 cst	

Pink SPRINGS	Red
3 mm REBOUND	3 mm

<input type="checkbox"/> <input type="checkbox"/> <input checked="" type="checkbox"/> <input type="checkbox"/> <input type="checkbox"/>	<input type="checkbox"/> <input type="checkbox"/> <input checked="" type="checkbox"/> <input type="checkbox"/> <input type="checkbox"/>
---	---

FRONT	ANTI-ROLL BARS	REAR
<input type="checkbox"/> 1.8 <input type="checkbox"/> 2.2 <input checked="" type="checkbox"/> 2.5 <input type="checkbox"/> 2.8	<input type="checkbox"/> 1.6 <input type="checkbox"/> 1.8 <input checked="" type="checkbox"/> 2.0 <input type="checkbox"/> 2.2 <input type="checkbox"/> 2.5	

FRONT	TYRES	Controlled Tyre	REAR
Capricorn MAKE	Capricorn	<input checked="" type="checkbox"/>	

37 SHORE	40
-----------------	-----------

62 DIAMETER	64
--------------------	-----------

5-MIN WEAR	
-------------------	--

POWER PACK

ENGINE
BRAND Sonic TYPE PSS .12
GLOWPLUG 6 CARB Ø 5,4 mm HEAD CLEARANCE Std mm

EXAUST
PIPE Hipex low noise MANIFOLD Hipex low noise

FUEL
BRAND Byron NITRO 25

CLUTCH

CLUTCH BELL <input checked="" type="checkbox"/> ALU <input type="checkbox"/> STEEL	CLUTCH SHOE <input type="checkbox"/> RED <input checked="" type="checkbox"/> YELLOW <input type="checkbox"/> BLACK
CLUTCH SPRING X hard serpent	CLUTCH BELL GAP 0,5 mm

FLEX CONFIGURATION

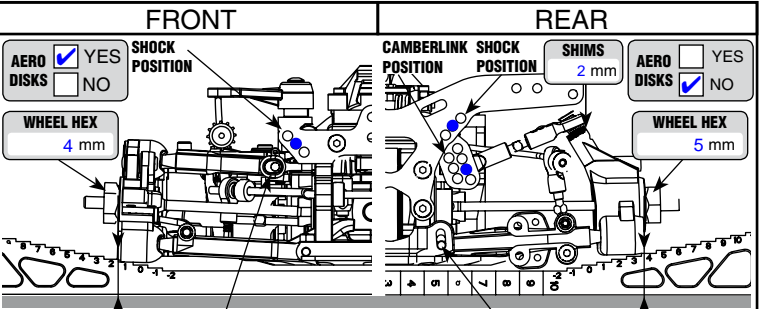
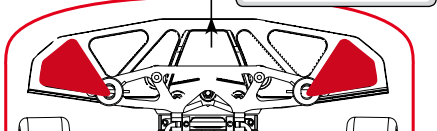
CHASSIS STIFFENER	FLEX
<input checked="" type="checkbox"/> YES <input type="checkbox"/> NO	<input type="checkbox"/> YES <input checked="" type="checkbox"/> NO

AERODYNAMIC CONFIGURATION

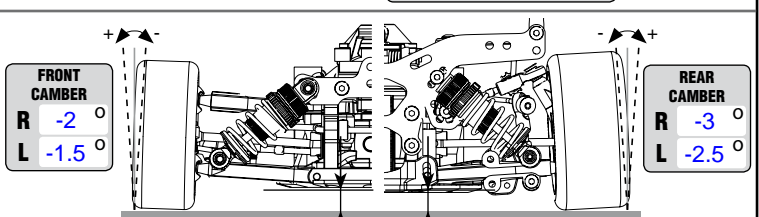
BODY BRAND Src	BODY POSITION 6 mm
-----------------------	---------------------------

BODY TYPE Spark

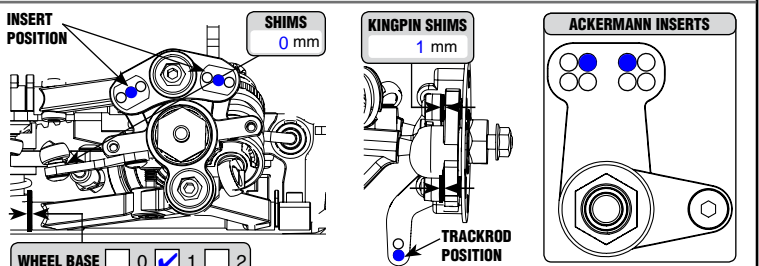
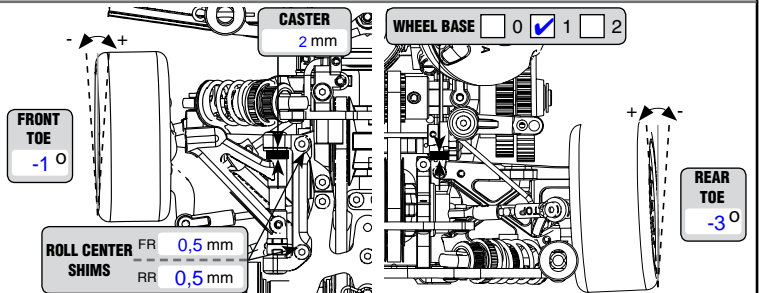
BUMPERS HOLES <input type="checkbox"/> YES <input checked="" type="checkbox"/> NO



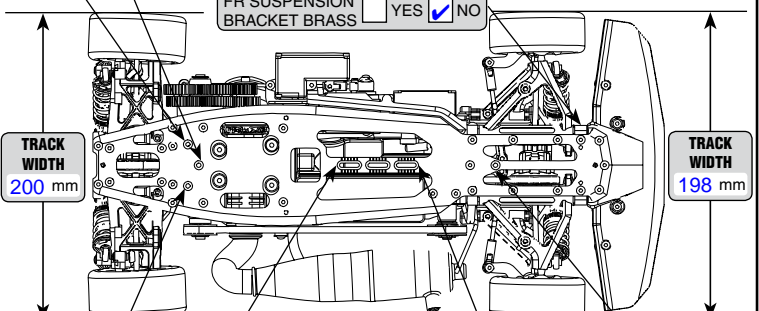
DOWN STOP 1 mm	UPPER ARM INSERT	ROLL CENTER INSERT FRONT	DOWN STOP 4 mm
-----------------------	------------------	--------------------------	-----------------------



RIDE HEIGHT 7 mm WITH TYRE Ø 62 mm	RIDE HEIGHT 7,5 mm WITH TYRE Ø 64 mm
--	--



WHEEL BASE <input type="checkbox"/> 0 <input checked="" type="checkbox"/> 1 <input type="checkbox"/> 2	WEIGHT grams	WEIGHT grams	WEIGHT DISTRIBUTION
--	--------------	--------------	---------------------



TRACK WIDTH 200 mm	TRACK WIDTH 198 mm
---------------------------	---------------------------

REMARKS Using a protoform P47N makes the car easier with a hint of understeer. Look at tire wear to check camber settings after few laps.