

DRIVER, TRACK AND RESULTS

DRIVER Mark Green **COUNTRY** UK **WEATHER** AIR TEMP **TRACK TEMP** DRY INTERMEDIATE WET
TRACK Halifax **TRACTION** LOW MEDIUM HIGH **COMMENTS**
RACE BRCA **DATE** **QUALY POS.** **QUALY TIME** **STARTING POS.** **FINAL POS.**

FRONT	DRIVE TRAIN	REAR
<input checked="" type="checkbox"/> GEAR DIFF 5000,000cst	GEAR DIFF 60,000 cst	
<input type="checkbox"/> SPOOL		

1ST	SPUR GEARS	2ND
<input type="checkbox"/> 58 <input type="checkbox"/> 59 <input checked="" type="checkbox"/> 60	<input checked="" type="checkbox"/> 53 <input type="checkbox"/> 54 <input type="checkbox"/> 55	

1ST	PINION	2ND
<input type="checkbox"/> 15 <input checked="" type="checkbox"/> 16 <input type="checkbox"/> 17	<input type="checkbox"/> 20 <input checked="" type="checkbox"/> 21 <input type="checkbox"/> 22	

FRONT	SHOCK ABSORBERS	REAR
800 cst	OIL	800 cst
Blue	SPRINGS	Red

mm REBOUND		mm	
<input type="checkbox"/>	<input type="checkbox"/>	<input checked="" type="checkbox"/>	<input type="checkbox"/>
<input type="checkbox"/>	<input type="checkbox"/>	<input checked="" type="checkbox"/>	<input type="checkbox"/>

FRONT	ANTI-ROLL BARS	REAR
<input type="checkbox"/> 1.8 <input type="checkbox"/> 2.2 <input type="checkbox"/> 2.5 <input checked="" type="checkbox"/> 2.8	<input type="checkbox"/> 1.6 <input checked="" type="checkbox"/> 1.8 <input type="checkbox"/> 2.0 <input type="checkbox"/> 2.2 <input type="checkbox"/> 2.5	

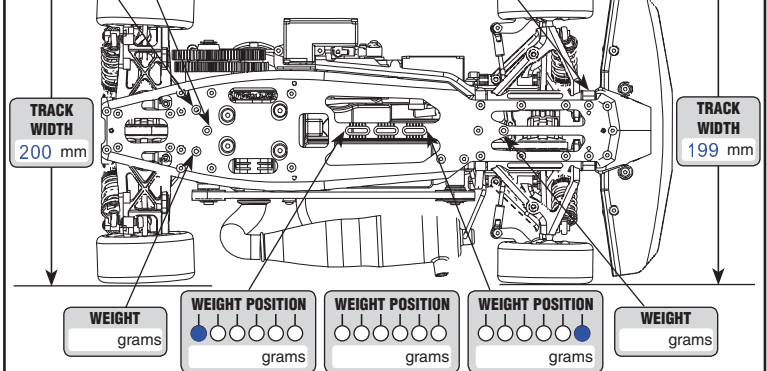
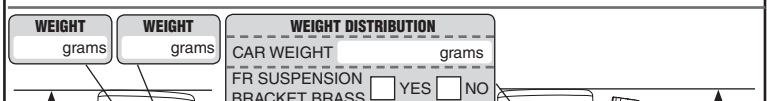
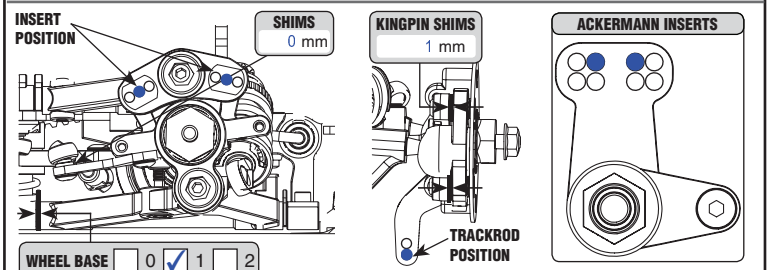
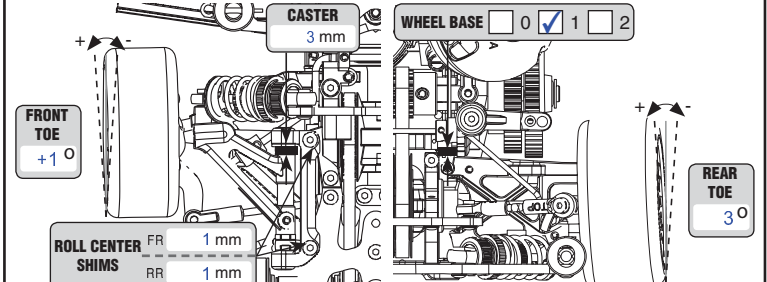
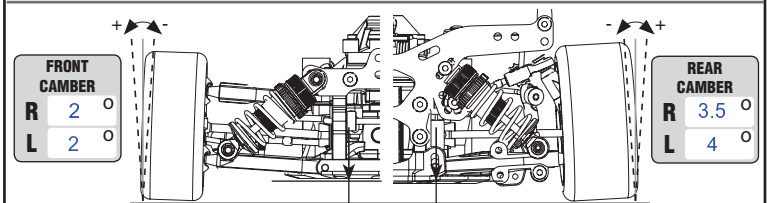
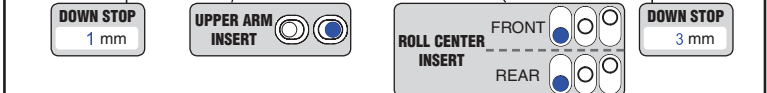
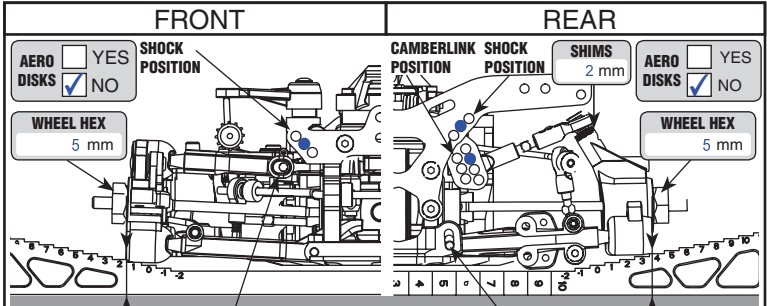
FRONT	TYRES	Controlled Tyre	REAR
ENS	MAKE	<input checked="" type="checkbox"/>	ENS
35	SHORE		40
DIAMETER			
5-MIN WEAR			

POWER PACK	
ENGINE	EXHAUST
BRAND XRD TYPE FT Line	PIPE XRD 2681 MANIFOLD xrd4
GLOWPLUG xrd6 CARB Ø std mm HEAD CLEARANCE std mm	FUEL
	BRAND Runnertime NITRO 16%

CLUTCH	
CLUTCH BELL <input checked="" type="checkbox"/> ALU <input type="checkbox"/> STEEL	CLUTCH SHOE <input type="checkbox"/> RED <input type="checkbox"/> YELLOW <input type="checkbox"/> BLACK
CLUTCH SPRING xHard	CLUTCH BELL GAP .6 mm

FLEX CONFIGURATION	
CHASSIS STIFFENER <input checked="" type="checkbox"/> YES <input type="checkbox"/> NO	FLEX <input type="checkbox"/> YES <input checked="" type="checkbox"/> NO

AERODYNAMIC CONFIGURATION	
BODY BRAND PF	BODY POSITION mm
BODY TYPE P37	
BUMPERS HOLES <input type="checkbox"/> YES <input checked="" type="checkbox"/> NO	



REMARKS Hard wishbones - alu servo saver