

## DRIVER, TRACK AND RESULTS

DRIVER \_\_\_\_\_ COUNTRY \_\_\_\_\_ WEATHER AIR TEMP \_\_\_\_\_ TRACK TEMP \_\_\_\_\_  DRY  INTERMEDIATE  WET

TRACK \_\_\_\_\_ TRACTION  LOW  MEDIUM  HIGH COMMENTS \_\_\_\_\_

RACE \_\_\_\_\_ DATE \_\_\_\_\_ QUALY POS. \_\_\_\_\_ QUALY TIME \_\_\_\_\_ STARTING POS. \_\_\_\_\_ FINAL POS. \_\_\_\_\_

FRONT	DRIVE TRAIN	REAR
<input type="checkbox"/> GEAR DIFF	cst	<input type="checkbox"/> GEAR DIFF
<input type="checkbox"/> SPOOL		

1ST	SPUR GEARS	2ND
<input type="checkbox"/> 58	<input type="checkbox"/> 59 <input type="checkbox"/> 60	<input type="checkbox"/> 53 <input type="checkbox"/> 54 <input type="checkbox"/> 55

1ST	PINION	2ND
<input type="checkbox"/> 15	<input type="checkbox"/> 16 <input type="checkbox"/> 17	<input type="checkbox"/> 20 <input type="checkbox"/> 21 <input type="checkbox"/> 22

FRONT	SHOCK ABSORBERS	REAR
	cst OIL	cst

SPRINGS

mm REBOUND

FRONT	ANTI-ROLL BARS	REAR
<input type="checkbox"/> 1.8 <input type="checkbox"/> 2.2 <input type="checkbox"/> 2.5 <input type="checkbox"/> 2.8	<input type="checkbox"/> 1.6 <input type="checkbox"/> 1.8 <input type="checkbox"/> 2.0 <input type="checkbox"/> 2.2 <input type="checkbox"/> 2.5	

FRONT	TYRES	Controlled Tyre	REAR
-------	-------	-----------------	------

MAKE \_\_\_\_\_

SHORE \_\_\_\_\_

DIAMETER \_\_\_\_\_

5-MIN WEAR \_\_\_\_\_

### POWER PACK

ENGINE

BRAND \_\_\_\_\_ TYPE \_\_\_\_\_

GLOWPLUG \_\_\_\_\_ CARBØ \_\_\_\_\_ mm HEAD CLEARANCE \_\_\_\_\_ mm

EXAUSHT

PIPE \_\_\_\_\_ MANIFOLD \_\_\_\_\_

FUEL

BRAND \_\_\_\_\_ NITRO \_\_\_\_\_

### CLUTCH

CLUTCH BELL  ALU  STEEL CLUTCH SHOE  RED  YELLOW  BLACK

CLUTCH SPRING \_\_\_\_\_ CLUTCH BELL GAP \_\_\_\_\_ mm

### FLEX CONFIGURATION

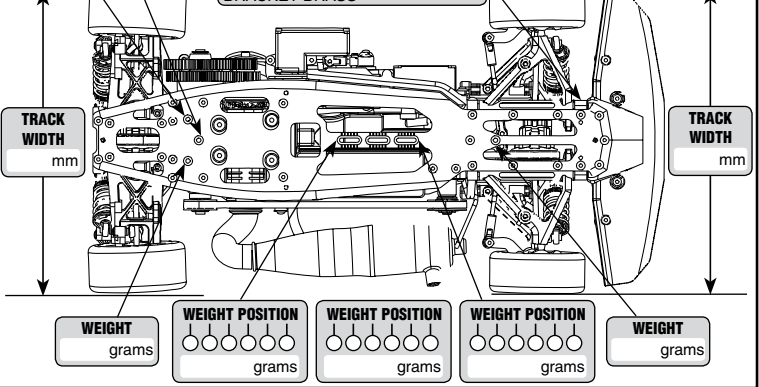
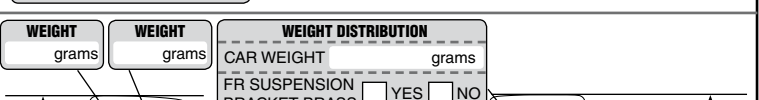
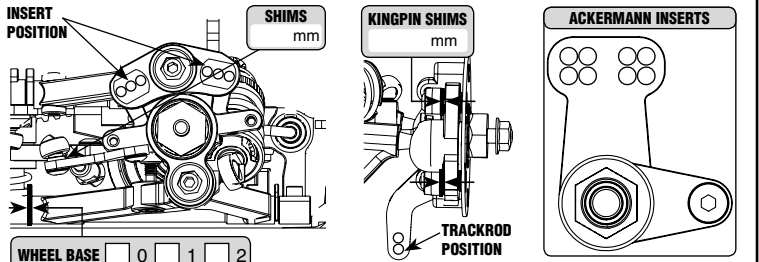
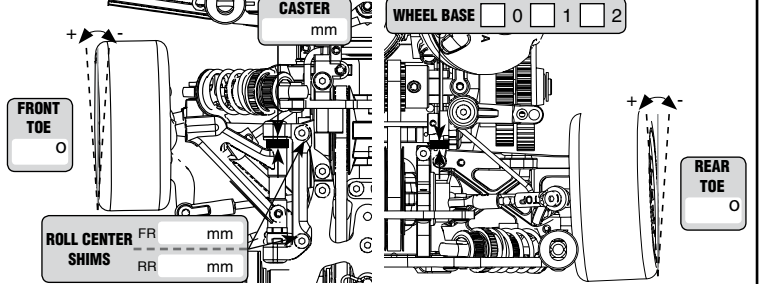
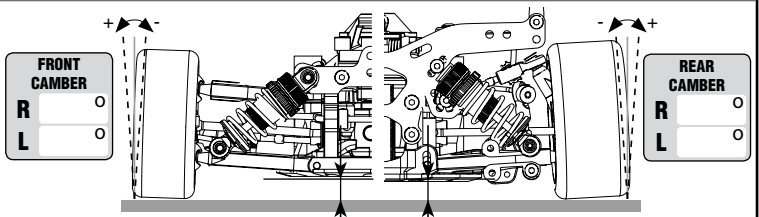
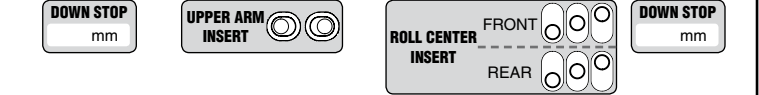
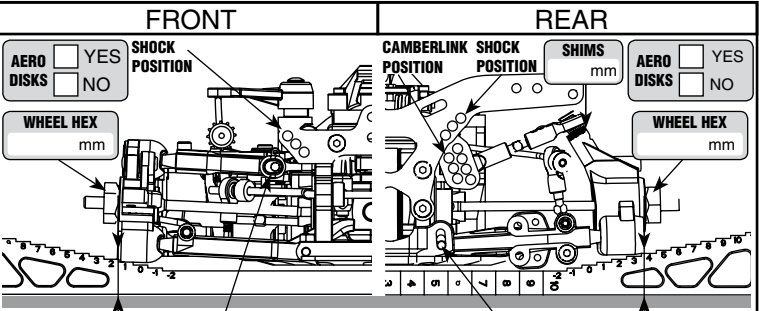
CHASSIS STIFFENER  YES  NO FLEX  YES  NO

### AERODYNAMIC CONFIGURATION

BODY BRAND \_\_\_\_\_ BODY POSITION \_\_\_\_\_ mm

BODY TYPE \_\_\_\_\_

BUMPERS HOLES  YES  NO



REMARKS \_\_\_\_\_